

ST1900A系列
Series

高速电子套结机

HIGH-SPEED DIRECT DRIVE ELECTRONIC
BARTACKING SEWING MACHINE

零件样本 Parts Book

为了安全地使用，请您在使用之前一定阅读本使用说明书。另外，请您注意保管本使用说明书，以便随时查阅；零件更改设计时，恕不另行通知。

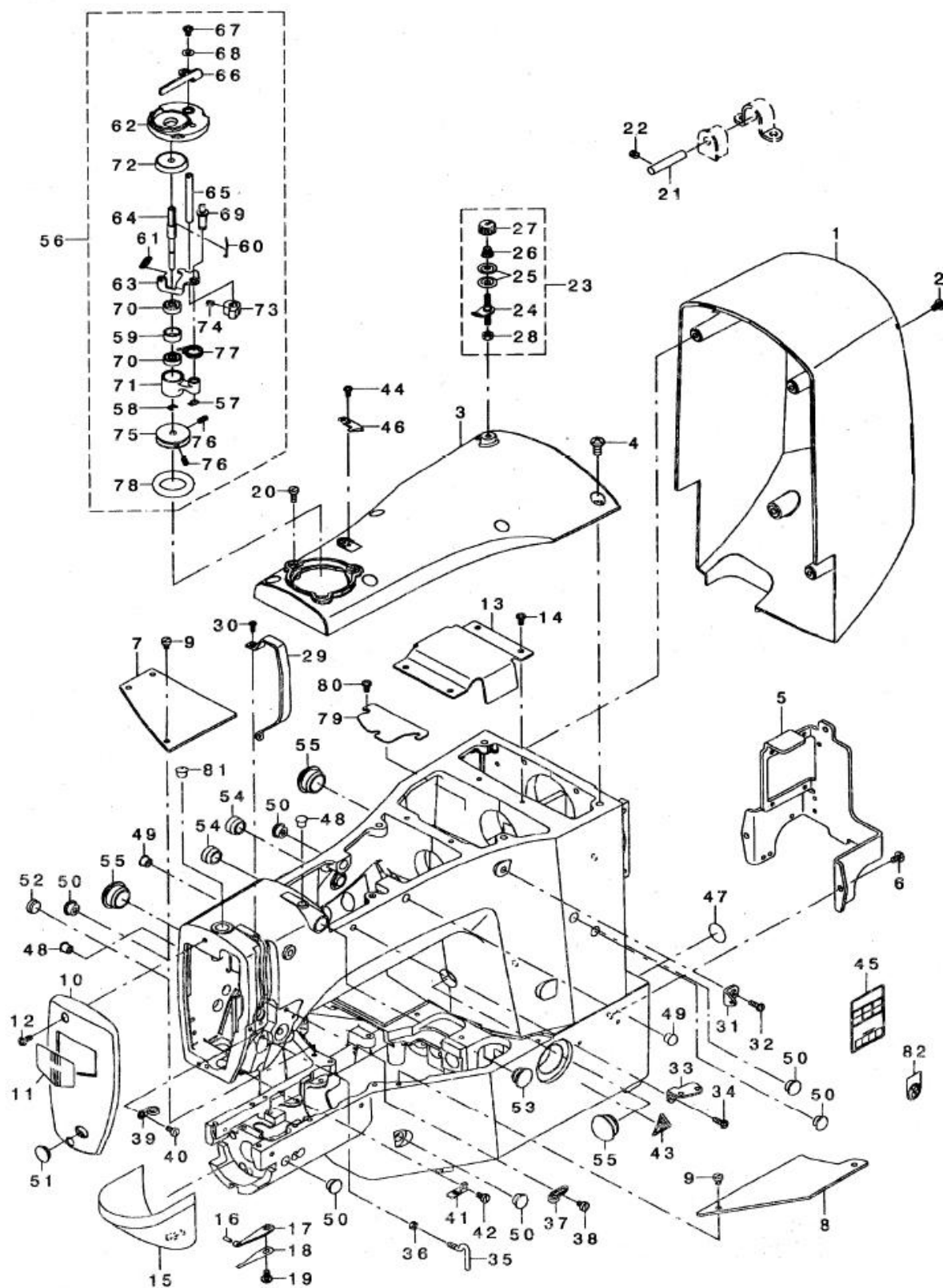
Read safety instructions carefully and understand them before using. Retain this Operation Instruction for future reference. Excuse for not notice in advance while the design of the sparepart has to be changed.

目 录
CONTENTS

1. FRAME & MISCELLANEOUS COVER COMPONENTS	1
机壳部件	
2. MAIN SHAFT & NEEDLE BAR COMPONENTS	3
上轴、针杆部件	
3. PRESSER LIFTER & WIPER COMPONENTS	5
压脚提升部件	
4. SHUTTLE DRIVER SHAFT COMPONENTS	7
旋梭传动部件	
5. THREAD TENSION COMPONENTS	9
夹线部件	
6. THREAD TRIMMER MECHANISM COMPONENTS	11
自动剪线部件	
7. FEED MECHANISM COMPONENTS	13
送料部件	
8. TC CLAMP COMPONENTS	15
抓线部件	
9. SENSOR COMPONENTS	17
传感器部件	
10. THREAD STAND COMPONENTS	18
线架部件	
11. TABLE STAND COMPONENTS (JT-K44)	19
台板部件	
12. CONTROL BOX COMPONENTS	21
电控箱部件	
13. OPERATION PANEL COMPONENTS	23
操作面板部件	
14. WIRING DIAGRAM	25
配线图表	
15. ACCESSORIE PART COMPONENTS	27
附件部分	
16. EXCLUSIVE PARTS FOR 1901AS (1)	29
专用部件	
17. EXCLUSIVE PARTS FOR 1901AS (2)	31
专用部件	
18. EXCLUSIVE PARTS FOR 1902AS, 1902AH (1)	33
专用部件	
19. EXCLUSIVE PARTS FOR 1902AS, 1902AH (2) (TABLE STAND COMPONENTS)	35
专用部件	
20. EXCLUSIVE PARTS FOR 1903AS-301, 1903AS-302 (1)	37
专用部件	
21. EXCLUSIVE PARTS FOR 1903AS-301, 1903AS-302 (2)	39
专用部件	
22. ACCESSORIES PARTS FOR 1900A SUBCLASSES	41
附件部分	
23. OPTION COMPONENTS (1)	43
选购部件	
24. OPTION COMPONENTS (2) (FOR 1902A, 1903A)	45
选购部件	
25. 1903A: OPTION COMPONENTS (FOR SHANK BUTTON)	47
选购部件	
NUMERICAL INDEX OF PARTS	49
索引	

1.FRAME & MISCELLANEOUS COVER COMPONENTS

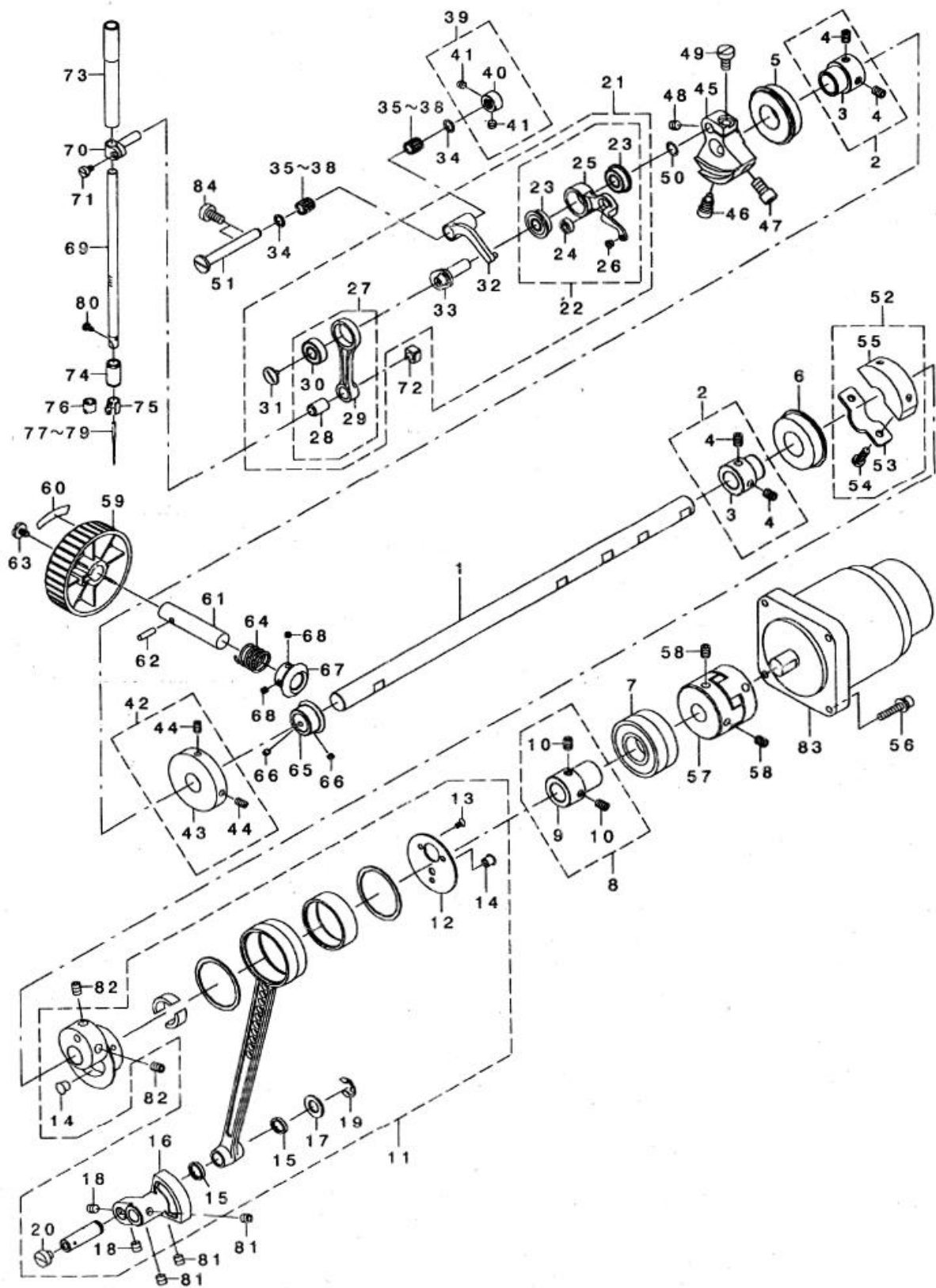
机壳部件



序号	图号	名称	DESCRIPTION	数量
1	400-06475	电机盖	MOTOR COVER	1
2	SM-5040855-SN	螺钉	SCREW	4
3	400-06478	上盖板	UPSIDE COVER	1
4	SM-4061255-SP	螺钉 M6 L=12	SCREW M6 L=12	6
5	400-10404	保护板	PROTECTION PLATE	1
6	SM-4050855-SP	螺钉	SCREW	3
7	400-06487	左上盖	BED COVER LEFT	1
8	400-06488	右上盖	BED COVER RIGHT	1
9	SM-6040650-TP	螺钉 M4 L=6	SCREW M4 L=6	5
10	400-06481	面板	FACE COVER	1
11	229-02506	面板标签	FACE PLATE	1
12	SM-4041055-SP	螺钉	SCREW	2
13	400-10405	曲柄盖	CRANK ROD COVER	1
14	SM-5040855-SN	螺钉	SCREW	4
15	138-16855	罩壳	CYLINDER ARM CAP	1
16	135-08700	压簧销	HOOK COVER PRESSER SPRING PIN	1
17	135-08809	压簧A	HOOK COVER PRESSER SPRING A	1
18	135-08908	压簧B	HOOK COVER PRESSER SPRING B	1
19	SM-5040855-SN	螺钉	SCREW	1
20	SM-6041150-TP	螺钉 M4 L=11	SCREW M4 L=11	3
21	B2707-761-000	铰链销	HINGE STUD	2
22	SM-8060612-TP	螺钉 M6 L=6	SCREW M6 L=6	4
23	141-13468	小夹线器组件	BOBBIN THREAD TENSION ASM	1
24	141-13450	夹线杆组件	BOBBIN THREAD TENSION ROD ASM	(1
25	B3126-012-000	支线板	THREAD TENSION DISK	(2
26	D7133-555-B00	夹线弹簧	CONNECTING ROD SPRING	(1
27	110-72402	夹线螺母	THREAD TENSION NUT	(1
28	NS-6110310-SP	螺母 11/64-40	NUT 11/64-40	(1
29	138-16608	挑线杆防护罩	BALANCE COVER	1
30	SM-4030855-SN	螺钉 M3 L=8.0	SCREW M3 L=8.0	2
31	400-10414	1号过线板	THREAD GUIDE NO. 1	1
32	SM-4061255-SP	螺钉 M6 L=12	SCREW M6 L=12	1
33	B1111-232-000	双眼过线板	THREAD GUIDE PLATE	1
34	SM-4061255-SP	螺钉 M6 L=12	SCREW M6 L=12	1
35	400-10571	L形过线勾 A	L SHAPED THREAD GUIDE A	1
36	NM-6040000-SN	螺母 M4	NUT M4	1
37	229-20508	过线勾A	ARM THREAD GUIDE A	1
38	SM-6040650-TP	螺钉 M4 L=6	SCREW M4 L=6	1
39	137-05108	过线勾(B)	FRAME THREAD GUIDE (B)	1
40	SM-6040860-TP	螺钉 M4 L=8	SCREW M4 L=8	1
41	B1129-210-000	机壳过线勾(B)	FRAME THREAD GUIDE (B)	1
42	SM-6040860-TP	螺钉 M4 L=8	SCREW M4 L=8	1
43	CM-3002000-02	警告标签(25)	CAUTION LABEL(25)	1
44	SM-4030601-SN	螺钉M3×6	SCREW M3×6	1
45	CM-3012000-01	安全标签	SAFETY LABEL S	1
46	105-02300	切线刀	THREAD CUTTER	1
47	100-04109	底座标牌	GROUND MARK	1
48	TA-0750704-RO	橡皮塞	RUBBER PLUG	2
49	TA-0850604-RO	橡皮塞	RUBBER PLUG	2
50	TA-1050504-RO	橡皮塞	RUBBER PLUG	6
51	TA-1250406-RO	橡皮塞 D=12.5 L=4	RUBBER PLUG D=12.5 L=4	1
52	TA-1270502-RO	橡皮塞	RUBBER PLUG	1
53	TA-1470704-RO	橡皮塞	RUBBER PLUG	1
54	TA-1550902-RO	橡皮塞	PLUG	2
55	TA-2100904-RO	橡皮塞	RUBBER PLUG	3
56	262-60000	绕线器组件	BOBBIN WINDER UNIT	1
57	RC-0560711-KP	卡簧	RETAINING RING	(1
58	RE-040000-KO	卡簧 4	E-RING 4	(1
59	262-60802	衬套	BTW BEARING SPACER	(1
60	262-61602	线轴弹簧	BOBBIN SPRING	(1
61	262-61701	奔簧	BTW BEARING	(1
62	262-60109	绕线器座	BTW BASE	(1
63	262-60208	绕线器凸轮板	BTW CAM PLATE	(1
64	262-60901	绕线器轴	BTW SHAFT	(1
65	262-61008	绕线器杆轴	BTW LEVER SHAFT	(1
66	262-61107	绕线器杆	BTW LEVER	(1
67	SM-5040655-SN	螺钉	SCREW	(1
68	WP-0450826-SC	垫片 4.5×10×0.8	WASHER 4.5×10×0.8	(1
69	262-60307	绕线器轴	BTW BASE SHAFT	(1
70	262-61305	轴承	BTW BEARING	(2
71	262-60406	绕线器轴座	BTW SHAFT BASE	(1
72	262-61205	绕线	BTW SPACER	(1
73	262-60505	凸轮杆	BTW CAM LEVER	(1
74	SM-8050502-TP	螺钉 M5 L=5	SCREW M5 L=5	(1
75	262-60604	衬垫	BTW WHEEL	(1
76	SM-8040802-TP	螺钉 M4×8	SCREW M4×8	(2
77	262-60703	弹簧	BTW TORSION SPRING	(1
78	262-61503	橡皮圈	BTW WHEEL RUBBER	(1
79	400-11928	摆动杆下盖板	CRANK ROD UNDER COVER	1
80	SM-5040855-SN	螺钉	SCREW	3
81	229-01409	橡皮塞	NEEDLE BAR UPPER BUSH CAP	1
82	CM-1001000-01	禁止加油标记	OIL INJECTION PROHIBITION LABEL	1

2.MAIN SHAFT & NEEDLE BAR COMPONENTS

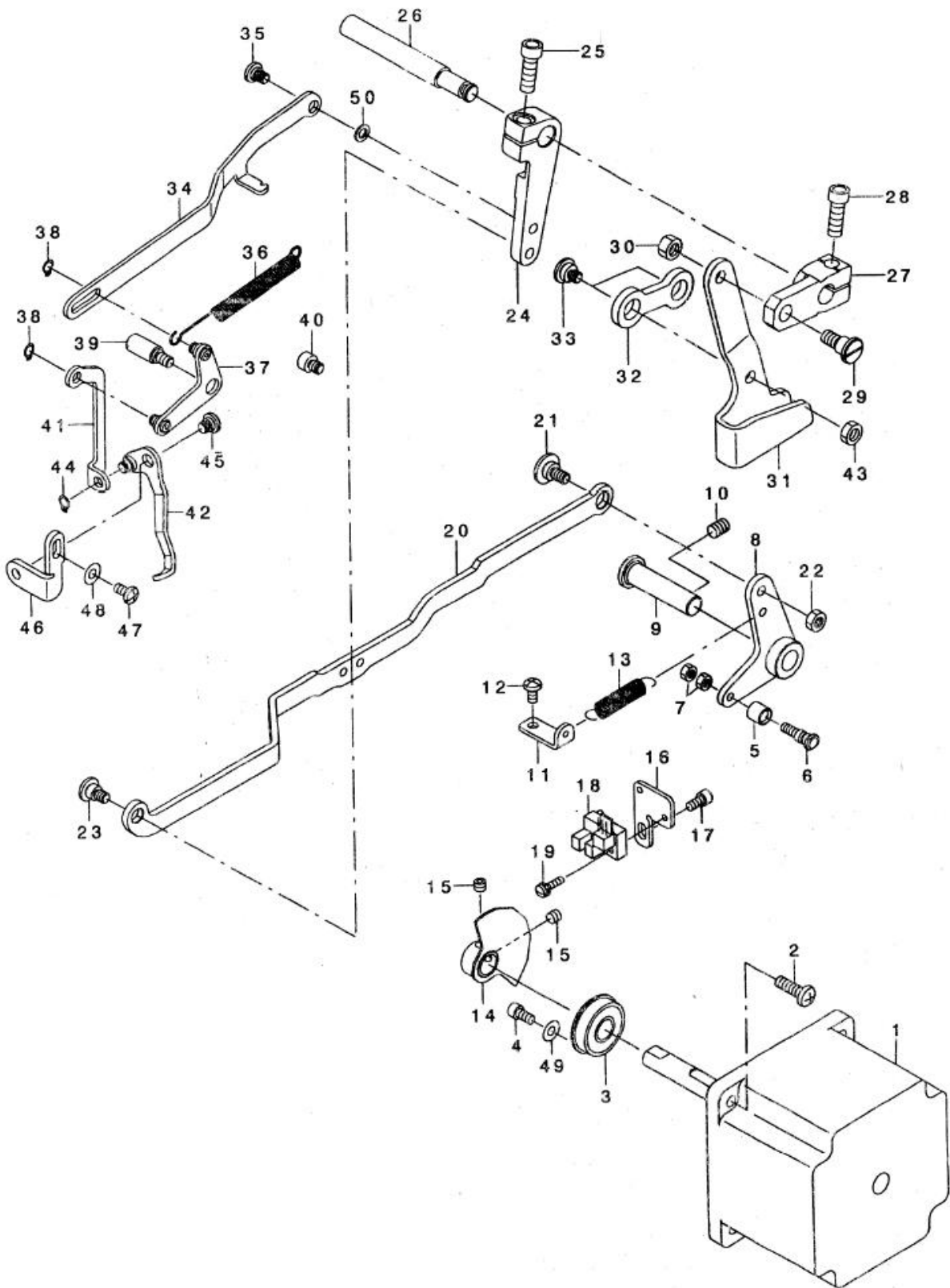
上轴、针杆部件



序号	图号	名称	DESCRIPTION	数量
1	400-10572	主轴	MAIN SHAFT	1
2	400-10415	轴承衬套A组件	BEARING BUSH A ASM	2
3	400-10416	轴承衬套A	BEARING BUSH A	(2
4	SM-8060812-TP	螺钉 M6 L=8	SCREW M6 L=8	(4
5	SB-1200018-00	轴承	BEARING	1
6	SB-1200018-00	轴承	BEARING	1
7	SB-1200017-00	轴承	BEARING	1
8	400-10418	轴承衬套B组件	BEARING BUSH B ASM	1
9	400-10419	轴承衬套B	BEARING BUSH B	(1
10	SM-8060812-TP	螺钉 M6 L=8	SCREW M6 L=8	(2
11	400-31136	连杆	CRANK ROD ALL ASM	1
12	400-10421	连杆盖板	CRANK ROD SUPPORT PLATE	(1
13	SM-1030601-5P	螺钉 M3 L=6	SCREW M3 L=6	(3
14	TA-0670604-R0	销 D=6.7 L=6	PLUG D=6.7 L=6	(2
15	101-08009	油封	OIL SEAL	(2
16	400-06561	摆齿	OSCILLATOR	(1
17	400-26818	垫圈	WASHER	(1
18	SM-8480652-TP	螺钉	SCREW	(2
19	RE-0800000-K0	卡簧 (8MM)	E-SHAPED SNAP RING(8MM)	1
20	SM-6060550-TP	螺钉 M6 L=4.5	SCREW M6 L=4.5	(1
21	400-06529	挑线杆组件	THREAD TAKE UP COMPL	1
22	400-06530	挑线杆组件	THREAD TAKE UP LEVER ASM	(1
23	SB-1080022-00	轴承	BEARING	(2
24	SB-1040016-00	轴承	BEARING	(1
25	400-06531	挑线杆	THREAD	(1
26	B1908-505-000	过线环	THREAD PASS BUSH	(1
27	400-06534	针杆连杆组件	NEEDLE BAR CRANK ROD ASM	(1
28	228-91006	针杆连杆套	NEEDLE BAR CRANK ROD METAL	(1
29	400-06535	针杆连杆	NEEDLE BAR CRANK ROD	(1
30	SB-1080023-00	轴承	BEARING	(1
31	B1903-552-000	左旋螺钉	LEFT SCREW	(1
32	400-06532	挑线连杆	THREAD TAKE UP CRANK	(1
33	400-06537	挑线曲柄	NEEDLE ROD CRANK	(1
34	288-91204	垫圈	BEARING SUPPORT	2
35	SB-3070002-0A	轴承	BEARING	2
36	SB-3070002-0B	轴承	BEARING	2
37	SB-3070002-0C	轴承	BEARING	2
38	SB-3070002-0D	轴承	BEARING	2
39	400-10434	挡圈组件	THRUST COLLAR ASM	1
40	400-10435	挡圈	THRUST COLLAR	(1
41	400-10436	螺钉	THRUST COLLAR SCREW	(2
42	400-10533	绕线轮组件	BTW DRIVING WHEEL ASM	1
43	400-10534	绕线驱动轮(压铸件)	BTW DRIVING WHEEL	(1
44	400-10533	螺钉	BTW DRIVING WHEEL ASM	(2
45	400-10423	针杆曲柄	COUNTER WEIGHT	1
46	400-06517	针杆曲柄螺钉 A	COUNTER WEIGHT SCREW A	1
47	SM-6081252-TP	螺钉 M8 L=12	BOLT M8 L=12	1
48	SM-8480652-TP	螺钉 M6×0.75 L=6	SCREW M6×0.75 L=6	1
49	SM-6061200-SP	螺钉	SCREW	1
50	WP-0820516-SP	垫圈 11.6×8.2×0.6	WASHER 11.6×8.2×0.6	1
51	400-11902	挑线连杆销	THREAD TAKE UP CRANK SHAFT	1
52	400-10437	偏心轴组件	CRANK BALANCER ASM	1
53	400-10439	偏心盖板	CRANK BALANCER FIX PLATE	(1
54	400-10440	螺钉	CRANK BALANCER FIX PLATE SCREW	(2
55	400-28015	偏心块	AC SERVO MOTOR	(1
56	SL-6052592-TN	螺钉	BOLT	4
57	236-04309	联轴器	COUPLING	1
58	SM-8060812-TP	螺钉 M6 L=8	SCREW M6 L=8	4
59	B1212-210-D00	手轮	PULLEY	1
60	B1144-210-000	手轮标签	REVOLVING DIRECTION LABEL	1
61	285-00306	手调滑轮轴	HAND PULLEY	1
62	PS-0400142-KH	弹簧销 4×14	SPRING PIN 4×14	1
63	A1230-500-00A	固定螺钉	SET SCREW	1
64	GAF-01007000	弹簧	SPRING	1
65	400-06515	齿轮A	GEAR A	1
66	SM-8040310-SS	螺钉 M4 L=3	SCREW M4 L=3	2
67	400-06516	齿轮B	GEAR B	1
68	SM-8040310-SS	螺钉 M4 L=3	SCREW M4 L=3	2
69	400-10573	针杆	NEEDLE BAR	1
70	B1411-552-000	针杆接头	NEEDLE BAR CLAMP	1
71	SS-6090670-TP	螺钉 9/64-40 L=6	SCREW 9/64-40 L=6	1
72	B1414-555-000	滑块	SLIDE BLOCK	1
73	400-10441	针杆上套筒	NEEDLE ROD METAL	1
74	400-10442	针杆下套筒	NEEDLE ROD LOWER METAL	1
75	400-10574	针杆过线勾	THREAD GUIDE	1
76	D1405-L7A-M00	针杆过线勾	NEEDLE BAR THEAD GUIDE	1
77	MDP-500B1100	机针DP×5 #11	NEEDLE DP×5 #11	1
78	MDP-500B1400	机针DP×5 #14	NEEDLE DP×5 #14	1
79	MDP-170B2100	机针DP×14 #21	NEEDLE DP×14 #21	1
80	SM-7030550-TP	螺钉 M3 L=4.5	SCREW M3 L=4.5	1
81	SM-8480652-TP	螺钉 M6×0.75 L=6	SCREW M6×0.75 L=6	3
82	SM-8060812-TP	螺钉 M6 L=8	SCREW M6 L=8	2
83	400-28015	交流伺服电机	AC SERVO MOTOR	1
84	SM-6061250-TP	螺钉 M6 L=12	SCREW M6 L=12	2

3. PRESSER LIFTER & WIPER COMPONENTS

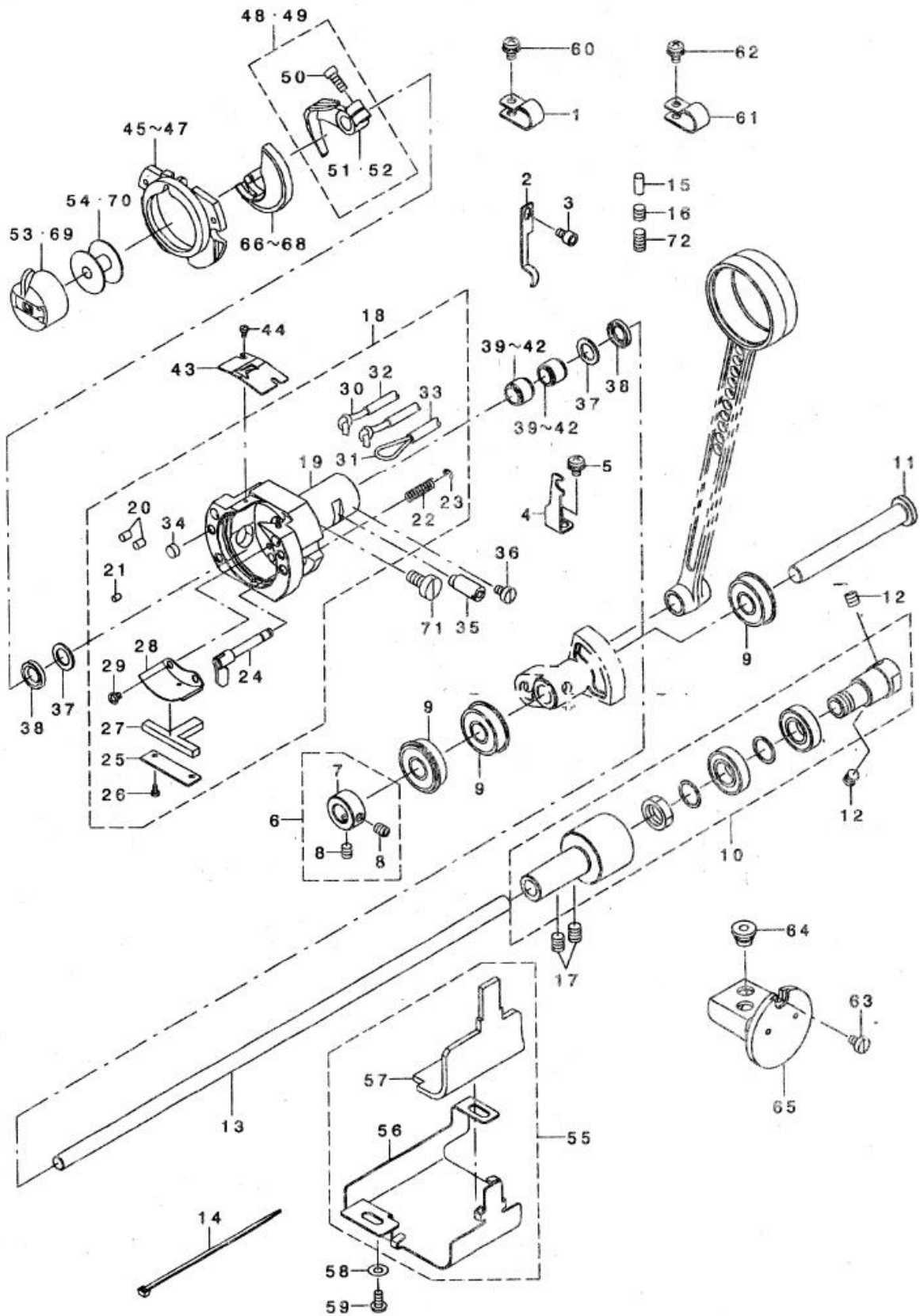
压脚提升部件



序号	图号	名称	DESCRIPTION	数量
1	400-29903	压脚提升电机	PRESSER LIFTING MOTOR	1
2	SM-4051655-SP	螺丝 M5 L=16	SCREW M5 L=16	4
3	SB-1100024-00	轴承	BEARING	0
4	SM-6040802-TP	螺丝 M5×0.7 L=8	SCREW M4×0.7 L=8	1
5	235-17501	滚子A	NEEDLE CAM ROLLER A	1
6	400-40256	铰链螺钉	CAM ROLLER SHAFT	1
7	NM-6040001-SP	螺母 M4×0.7	NUT M4×0.7	2
8	400-06661	提升连杆组件	LIFTEN LINK A ASM	1
9	400-06716	剪线轴	THREAD TRIMMER SHAFT	1
10	SM-8060812-TP	螺钉 M6 L=8	SCREW M6 L=8	1
11	400-23831	复位弹簧勾	SPRING RACK	1
12	SM-4040855-SP	螺钉	SCREW	1
13	135-15606	弹簧	SPRING	1
14	400-06666	传感器板	SENSOR SLIT ASM	1
15	SM-8050402-TP	传感器板安装螺钉	SCREW	2
16	400-10443	传感器安装座	SENSOR INSTALLING BASE	1
17	SM-6040802-TP	传感器板安装螺钉 M4×0.7 L=8	SCREW M4×0.7 L=8	1
18	HD-0005700-0A	传感器	PHOTO SENSOR	1
19	SL-4031291-SC	传感器安装螺钉 M3×12	SCREW M3×12	1
20	400-06665	提升连杆B	LIFTER LINK B	1
21	SD-0800327-TP	铰链螺钉 D=8 H=3.2	HINGE SCREW D=8 H=3.2	1
22	NM-6050001-SP	螺母 M5	NUT M5	1
23	SD-0700406-TP	铰链螺钉 D=7 H=4	HINGE SCREW D=7 H=4	1
24	400-06671	连接臂	CONNECTING ARM	1
25	SM-6061802-TP	螺钉 M6 L=8	SCREW M6 L=8	1
26	265-00405	连接轴	CONNECTING SHAFT	1
27	400-08693	压脚启动板曲柄	LOWERING ARM	1
28	SM-6061802-TP	螺钉 M6 L=18	SCREW M6 L=18	1
29	SD-07906006-TP	铰链螺钉 D=7.79 H=6	HINGE SCREW D=7.94 H=6	1
30	NM-6060001-CP	螺母 M6	NUT M6	1
31	400-06672	压脚启动板	LOWERING FOOL	1
32	141-04400	连杆	CONNECTING LINK	1
33	SD-1000406-TP	铰链螺钉 D=10 H=4	HINGE SCREW D=10 H=4	2
34	400-06674	拔线联接杆	WIPER CONNECTING LINK	1
35	SD-0600206-TP	铰链螺钉 M=6 H=2	HINGE SCREW D=6 H=2	1
36	135-09708	弹簧	SPRING	1
37	400-10451	拔线联接螺钉杆	WIPER CONNECTING ARM ASM	1
38	RC-0470611-KP	卡簧 4.7	RETAINING RING 4.7	2
39	400-10455	拔线联接板	WIPER CONNECTING LINK SHAFT	1
40	400-10457	挑线连杆挡块	WIPER STOPPER	1
41	400-10458	拔线联接杆	WIPER CONNECTING PLATE	1
42	400-17202	拔线器组件C	WIPER C ASM	1
43	NM-6060003-SC	螺母 M6	NUT M6	1
44	RC-0470611-KP	卡簧 4.7	RETAINING RING 4.7	1
45	SD-0640216-TP	铰链螺钉 D=6.35 H=2.1	HINGE SCREW D=6.35 H=2.1	1
46	400-06678	拔线器底板	WIPER BASE PLATE	1
47	SM-4040855-SP	螺钉	SCREW	1
48	WP-0450801-SP	垫片	WASHER	1
49	WP-0450801-SP	垫片	WASHER	1
50	WP-0480856-SP	垫片 4.8×8.4×0.8	WASHER 4.8×8.4×0.8	1

4. SHUTTLE DRIVER SHAFT COMPONENTS

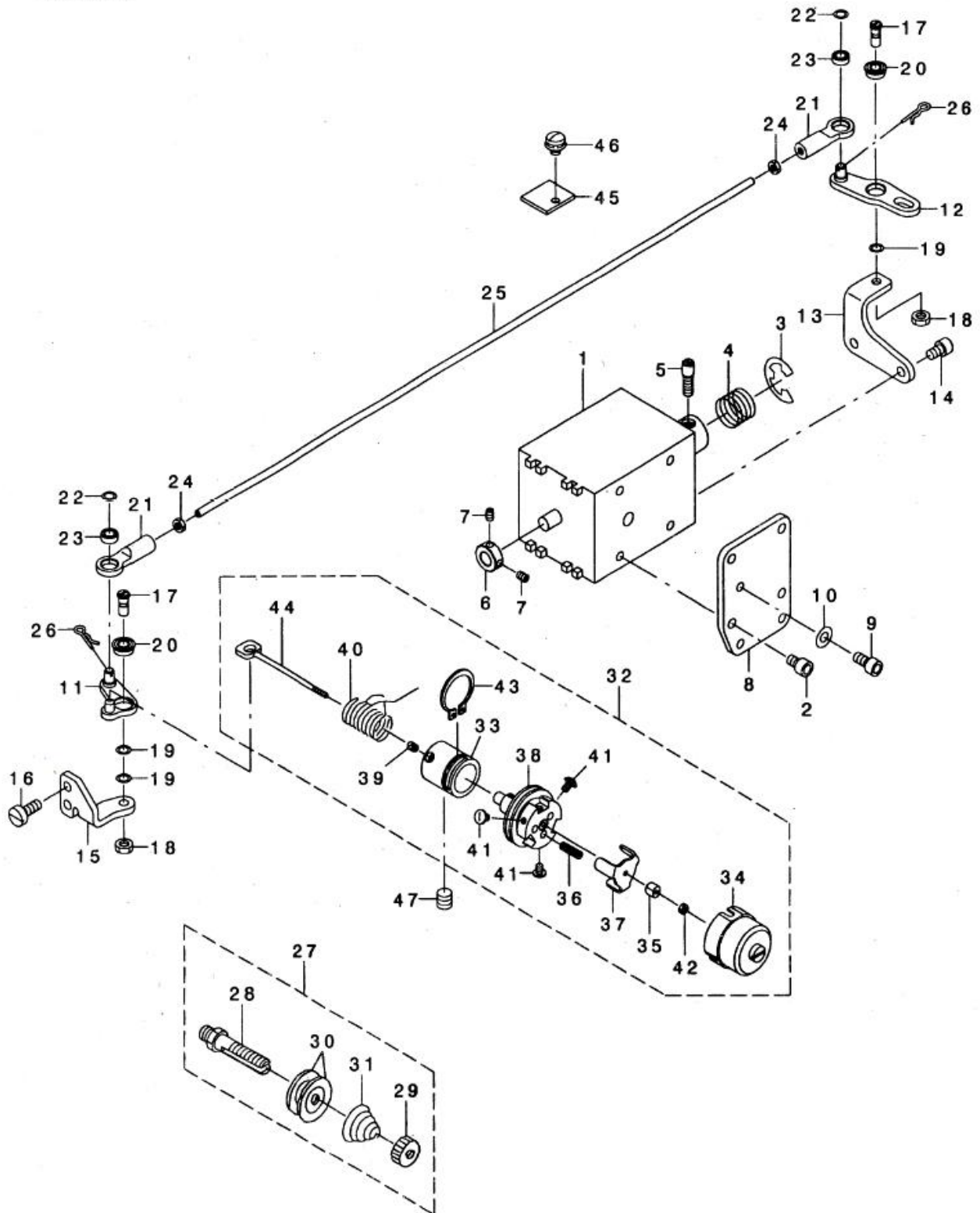
旋梭传动轴部件



序号	图号	名称	DESCRIPTION	数量
1	HX-0015000-0D	管卡	CABLE CLIP	1
2	400-12127	油管压板	OIL PIPE HOLDER	1
3	SM-6040602-TP	螺钉 M4 L=16	SCREW M4 L=16	1
4	400-13721	油管卡板	TUBE CLAMP	1
5	SL-4040891-SC	旋梭润滑板	SCREW M4 L=8	1
6	400-10464	挡圈组件	THRUST COLLAR ASM	1
7	400-10467	挡圈	THRUST COLLAR	(1
8	400-10469	挡圈螺钉	THRUST COLLAR SCREW	(2
9	SB-1100024-00	轴承	BEARING	3
10	400-16077	下轴后部组件	LOWER SHAFT GEAR ASM	1
11	400-06563	摆动齿轮轴	OSCILATOR SHAFT	1
12	SM-8060612-TP	螺钉 M6 L=6	SCREW M6 L=6	2
13	400-10575	下轴	LOWER SHAFT	1
14	EA-9500B01-00	扎带	CABLE BAND	2
15	400-06578	油塞	OIL WICK PRESSER	1
16	SM-8060610-TP	螺钉	SCREW	1
17	SM-8060812-TP	螺钉 M6 L=8	SCREW M6 L=8	2
18	400-06573	旋梭组件	SHUTTLE ASM	1
19	400-06574	梭床体	SHUTTLE	(1
20	B1820-210-D00	梭床油毡 A	SHUTTLE OIL FELT A	(2
21	B1821-210-D00	梭床油毡 B	SHUTTLE OIL FELT B	(1
22	B1822-215-P00	弹簧	INNER HOOK PRESSER SPRING	(2
23	RE-0300000-K0	卡簧 3	E RING 3	(2
24	265-01858	梭床压板组件	INNER HOOK PRESSER ASM	(2
25	141-04004	油毡压板	ONCE THROUGH OIL FELT PRESSER	(1
26	SM-6020460-TP	螺钉 M2 L=3.5	SCREW M2 L=3.5	(2
27	141-03907	油毡	SHUTTLE ONCE THROUGH OIL FELT	(1
28	400-06577	摆梭润滑板	SHUTTLE LUBRICATING PLATE	(1
29	SM-4030455-8P	螺钉	SCREW	(2
30	CQ-2000000-00	油芯	OIL WICK	(2.6
31	CQ-2000000-00	油芯	OIL WICK	(1.4
32	236-30007	油管	TUBE	(1
33	236-30007	油管	TUBE	(0.6
34	135-29607	橡皮塞	SHUTTLE PACKING	(2
35	400-10471	旋梭调节轴	SHUTTLE RACE ADJUSTING SHAFT	1
36	SM-6040650-TP	螺钉 M=4 L=6	SCREW M4 L=6	1
37	400-06575	旋梭轴承挡圈	SHUTTLE BEARING RING	2
38	400-06576	旋梭油封	SHUTTLE OIL SEAL	2
39	SB-3080010-0A	轴承	BEARING	2
40	SB-3080010-0B	轴承	BERING	2
41	SB-3080010-0C	轴承	BEARING	2
42	SB-3080010-0D	轴承	BEARING	2
43	B1815-210-000	旋梭分线板	INNER HOOK UPPER SPRING	1
44	SM-6020460-TP	旋梭分线板螺钉 M2 L=3.5	SCREW M2 L=3.5	2
45	141-03253	梭床组件 A	INNER HOOK PRESSER ASM A	1
46	141-03352	梭床组件 B	INNER HOOK PRESSER ASM B	1
47	141-03659	梭床组件 C	SHUTTLE RACE RING ASM C	1
48	400-11512	驱动组件	DRIVER ASM	1
49	400-14963	旋梭驱动组件	SHUTTLE DRIVER ASM	1
50	SS-6121212-TP	螺钉 3/16-12 L=12.0	SCREW 3/16-12 L=12.0	(1
51	400-11511	旋梭驱动器	SHUTTLE DRIVER	(1
52	400-10879	旋梭驱动器	SHUTTLE DRIVER	(1
53	B1828-980-0BB	梭心套组件	BOBBIN CASE ASM (RACING PREVE	1
54	138-12102	梭心	BOBBIN CASE ASM (RACING PREVE	1
55	400-10473	下轴摆齿盖组件	LOWER SHAFT GEAR COVER ASM	1
56	400-10474	下轴摆齿盖	LOWER SHAFT GEAR COVER	(1
57	400-10475	下轴摆齿油毡	LOWER SHAFT GEAR FELT	(1
58	WP-0450801-SP	垫片	WASHER	2
59	SM-5040855-SN	螺钉	SCREW	2
60	SL-4040891-SC	螺钉 M4 L=8	SCREW M4 L=8	1
61	HX-0015000-0B	扎带	CABLE CLIP	2
62	SL-4040891-SC	螺钉 M4 L=8	SCREW M4 L=8	2
63	SM-6040650-TP	螺钉 M4 L=6	SCREW M4 L=6	1
64	400-06840	橡皮套	RUBBER BUSH	2
65	400-06836	油标	OIL TANK ASM	1
66	400-06580	摆梭	SHUTTLE	1
67	400-06581	摆梭	SHUTTLE (H)	1
68	400-14965	摆梭	SHUTTLE (H)	1
69	B1828-210-DAA	梭心套组件	BOBBIN CASE ASM (RACING PREVE	1
70	B1806-210-D00	梭心	BOBBIN	1
71	400-10470	梭床体螺钉	SHUTTLE ASM SCREW	1
72	SM-8061050-TP	螺钉	SCREW	1

5.THREAD TENSION COMPONENTS

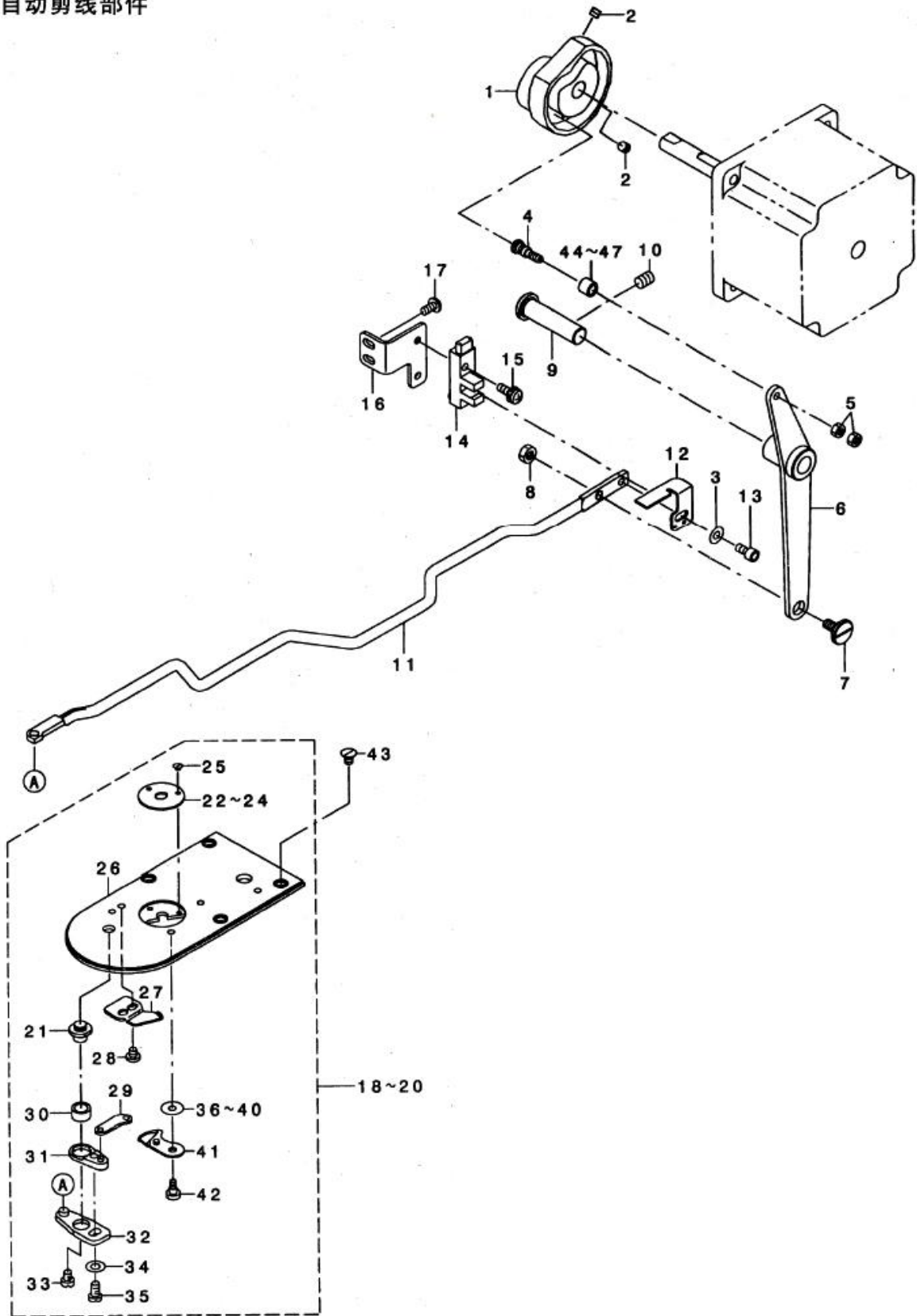
夹线组件



序号	图号	名称	DESCRIPTION	数量
1	400-06628	电磁铁	AT SOLENOID	1
2	SM-6040602-TP	电磁铁安装螺钉 M4 L=16	SCREW M4 L=6	4
3	RE-0900000-K0	卡簧	E-RING 9	1
4	400-06625	弹簧	SPRING	1
5	400-06617	电磁铁销	AT SOL PIN	1
6	400-10477	电磁铁挡圈	AT SOL COLLAR	1
7	SM-8030412-TP	螺钉	SCREW	2
8	400-10479	电磁铁安装板	AT PLATE	1
9	SM-6040802-TN	螺钉	SCREW	2
10	WP-0430801-SC	垫圈	WASHER 4.3*9*0.8	2
11	400-10482	传动杆(F)组件	AT DRIVE LINK(F) ASM	1
12	400-10492	松线推进器	AT DRIVE LINK(R) ASM	1
13	400-10495	支撑座(R)	AT PIVOT BASE(R)	1
14	SM-6040602-TP	螺钉 M4 L=6	SCREW M4 L=6	2
15	400-10486	支撑座(F)	AT PIVOT BASE(F)	1
16	SM-6041050-TP	螺钉 M4 L=10	SCREW M4 L=10	2
17	400-10487	轴位螺钉	AT PIVOT SCREW	2
18	NM-6040003-SC	螺母 M4	NUT M4	2
19	WP-0400516-UZ	垫片	PLAIN WASHER	3
20	400-10490	轴承	AT PIVOT BEARING	2
21	400-10497	接头	AT JOINT	2
22	WP-0400516-UZ	垫圈	PLAIN WASHER	2
23	400-10498	轴承	AT JOINT BEARING	2
24	NM-6030003-SC	螺母 M3	NUT M3	2
25	400-10500	连杆	AT CONNECTION BAR	1
26	400-06622	开口销	AT SNAP PIN	2
27	400-10503	夹线组件	THREAD TENSION 1 ASM	1
28	400-10504	夹线轴	THRED TENSION SHAFT	(1
29	299-28808	螺母	NUT	(1
30	299-21506	夹线板	THREAD TENSION DISK	(2
31	262-18602	夹线弹簧	FIRST THREAD TENSION SPRING	(1
32	400-10508	夹线组件	THREAD TENSION 2 ASM	1
33	400-10510	夹线座	THREAD TENSION POST BASE	(1
34	400-10511	夹线套	DISK STOPPER HOLDER CAP	(1
35	400-10512	夹线轴柄环	THREAD TENSION SHAFT COLLAR	(1
36	400-10513	弹簧	DISK STOPPER SP	(3
37	400-10514	压板	DISK STOPPER	(1
38	400-10515	夹线器座	ASSY THREAD TENSION POST	(1
39	400-10478	螺钉	AT SOL COLLAR SCREW	(1
40	229-21605	挑线簧	THREAD TAKE UP SPRING	(1
41	400-10521	螺钉	HOLD CAP SCREW	(3
42	400-10522	螺母	SHAFT NUT	(1
43	400-10523	卡簧	POST BASE C RING	(1
44	400-10509	夹线器轴	THREAD TENSION SHAFT	(1
45	400-13967	油毡	AT FELT	1
46	SL-4040681-SC	螺钉	COMBINATION SCREW M4*8	1
47	SM-8061612-TP	螺钉 M6*16	SCREW M6*16	1

6.THREAD TRIMMER MECHANISM COMPONENTS

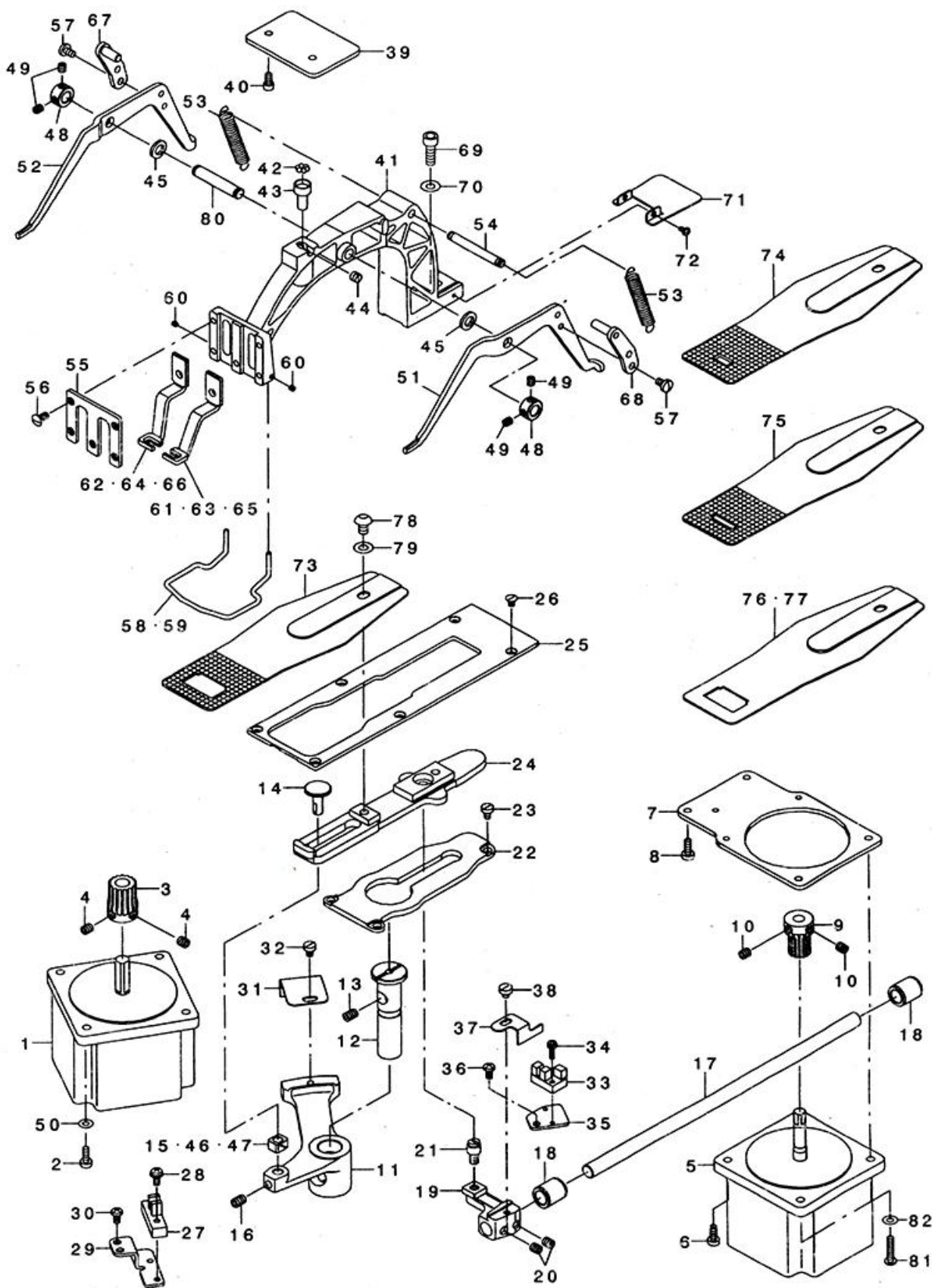
自动剪线部件



序号	图号	名称	DESCRIPTION	数量
1	400-06711	剪线凸轮	THREAD TRIMMER CAM	1
2	SM-8050592-TP	螺钉	SCREW WASHER	2
3	WP-0450801-SP	垫片	WASHER	1
4	400-40256	凸轮滚子轴	CAM ROLLER SHAFT	1
5	NM-6040001-SP	螺母 M4×0.7	NUT M4×0.7	2
6	400-06712	剪线杠杆	THREAD TRIMMER LINK ASM	1
7	SD-0800327-TP	轴位螺钉 D=8 H=3.2	HINGE SCREW D=8 H=3.2	1
8	NM-6050001-SP	螺母 M5	NUT M5	1
9	400-06716	铰链轴	THREAD TRIMMER SHAFT	1
10	SM-8060812-TP	螺钉 M6 L=8	SCREW M6 L=8	1
11	400-06717	剪线连杆	CONNECTING BAR	1
12	400-10525	剪线感应板	THREAD TRIMMER SENSOR SLIT	1
13	SM-6040802-TP	螺钉 M4×0.7 L=8	SCREW M4×0.7 L=8	1
14	HD-0022300-00	剪线传感器	PHOTO SENSOR	1
15	SL-4041291-SC	螺钉 M4 L=12	SCREW M4 L=12	1
16	400-10526	传感器安装座	THREAD TRIMMER SENSOR BASE	1
17	SM-4040855-SP	螺钉	SCREW	2
18	400-06722	针板组件 A	NEEDLE PLATE ASM A	1
19	400-06723	针板组件 H	NEEDLE PLATE ASM H	1
20	400-06724	针板组件 E	NEEDLE PLATE ASM E	1
21	B2417-280-000	剪线杠杆轴	THREAD CUTTER LEVER SHAFT	(1)
22	B2426-280-000	引针孔	NEEDLE HOLE GUIDE	(1)
23	141-09607	引针孔	NEEDLE HOLE GUIDE	(1)
24	D2426-282-C00	引针孔	NEEDLE HOLE GUIDE	(1)
25	SS-1060210-TP	螺钉 3/32-56 L=2.2	SCREW 3/32-56 L=2.2	(2)
26	400-06721	针板	NEEDLE PLATE	(1)
27	B2424-280-000	固定刀	FIXING KNIFE	(1)
28	SS-7090410-SP	轴位螺钉 9/64-40 L=3.5	SCREW 9/64-40 L=3.5	(2)
29	B2418-280-000	动刀连杆	MOVING KNIFE LINK	(1)
30	B2416-280-000	剪线杠杆套	THREAD CUTTING LEVER RING	(1)
31	B2415-280-0A0	剪线杠杆组件(小)	THREAD CUTTER LEVER ASM SMALL	(1)
32	B2414-280-0A0	剪线杠杆组件(大)	THREAD CUTTER LEVER ASM LARGE	(1)
33	SS-6110430-TP	螺钉 11/64-40 L=4.0	SCREW 11/64-40 L=4.0	(1)
34	WP-0450846-SP	垫片	WASHER	(1)
35	SS-7110740-TP	螺钉 11/64-40 L=7	SCREW 11/64-40 L=7	(1)
36	B2423-280-00C	动刀垫片C	MOVING KNIFE WASHER C	(1)
37	B2423-280-00A	动刀垫片A	MOVING KNIFE WASHER A	(1)
38	B2423-280-00B	动刀垫片B	MOVING KNIFE WASHER B	(1)
39	B2423-280-00D	动刀垫片D	MOVING KNIFE WASHER D	(1)
40	B2423-280-00E	动刀垫片E	MOVING KNIFE WASHER E	(1)
41	B2421-280-0A0	动刀组件	MOVING KNIFE ASM	(1)
42	SD-0500091-TP	铰链螺 D=5.0 H=0.9	HINGE SCREW D=5.0 H=0.9	(1)
43	SM-1040650-TP	螺钉 M4 L=6	SCREW M4 L=6	4
44	263-15606	凸轮滚子 A	NEEDLE CAM ROLLER A	1
45	263-15705	凸轮滚子 B	NEEDLE CAM ROLLER B	1
46	263-15804	凸轮滚子 C	NEEDLE CAM ROLLER C	1
47	263-15903	凸轮滚子 D	NEEDLE CAM ROLLER D	1

7.FEED MECHANISM COMPONENTS

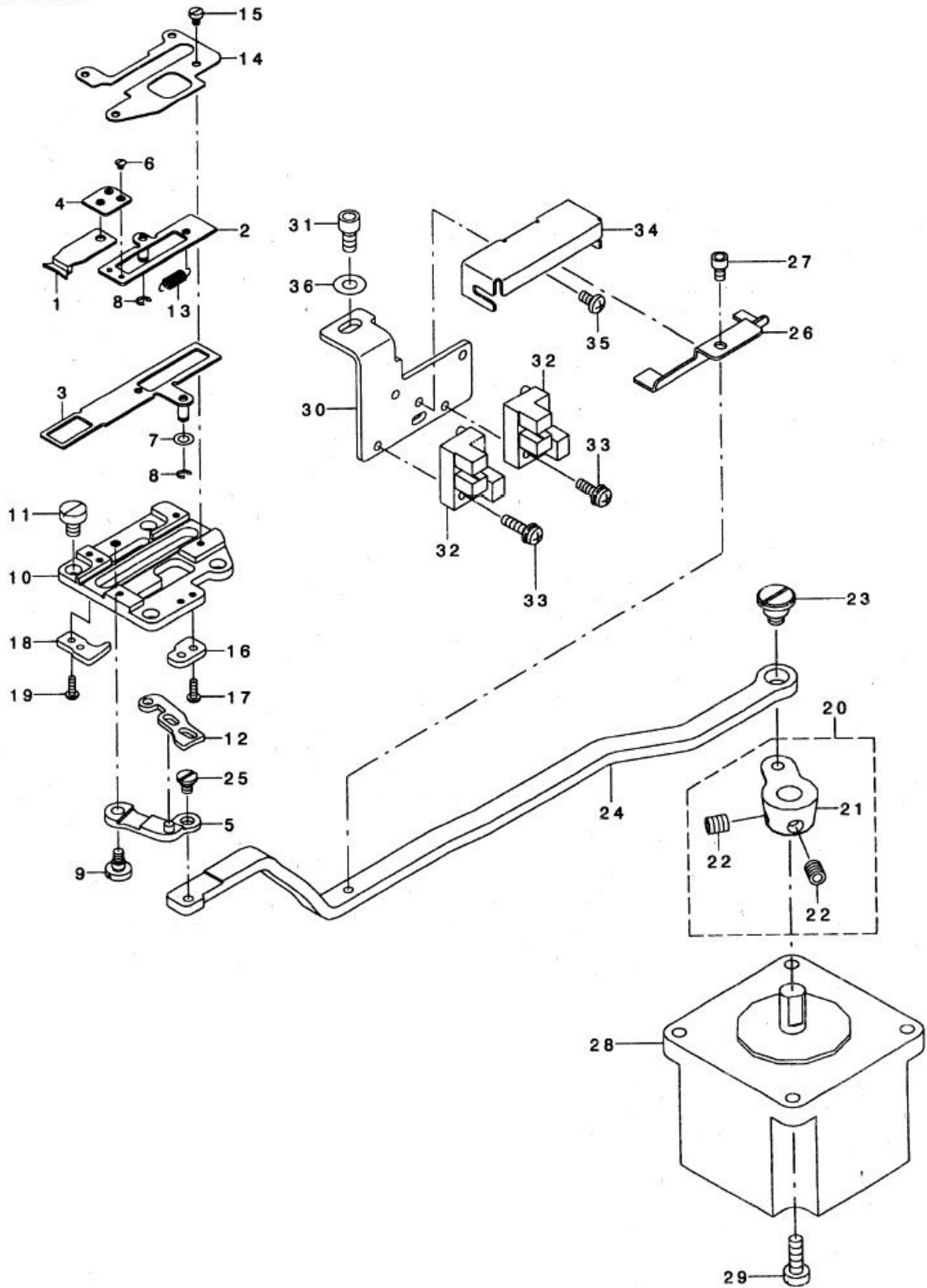
送料部件



序号	图号	名称	DESCRIPTION	数量
1	400-29901	X向进料步进电机	X FEED MOTOR	1
2	SM-4041655-SP	螺钉 M4 L=16	SCREW M4 L=16	4
3	265-01403	X向进料步进电机齿轮	X FEED GEAR	1
4	SM-8060602-TP	螺钉 M6×6	SCREW M6×6	2
5	400-29902	Y向进料步进电机	Y FEED MOTOR	1
6	SM-6041150-TP	螺钉 M4 L=11	SCREW M4 L=11	2
7	400-10536	Y向进料步进电机安装板	Y FEED MOTOR BASE	1
8	SM-6041150-TP	螺钉 M4 L=11	SCREW M4 L=11	2
9	265-01502	Y向进料齿轮	Y FEED GEAR	1
10	SM-8060602-TP	螺钉 M6×6	SCREW M6×6	2
11	400-06736	横向送布驱动臂	CLOTH FEED ARM	1
12	135-16208	送料驱动臂轴	FEED DRIVING ARM SHAFT	1
13	SM-8060812-TP	螺钉 M6 L=8	SCREW M6 L=8	1
14	262-23305	滑块柱头螺栓	SLIDE BLOCK STUD	1
15	B1414-232-000	正方形滑块	SQUARE BLOCK	1
16	SM-8060812-TP	螺钉 M6 L=8	SCREW M6 L=8	1
17	400-06738	Y向送料杆	Y FEED SHAFT	1
18	B2509-704-000	纵向送布驱动轴轴套	BUSHING REAR	2
19	265-00009	Y向送料驱动曲柄	Y FEED ARM	1
20	SS-8660612-TP	螺钉 1/4-40 L=6	SCREW 1/4-40 L=6	2
21	135-17404	螺钉销	HINGE STUD	1
22	400-06740	拖布板支撑板	CLOTH FEED SUPPORT PLAE	1
23	SM-6041150-TP	螺钉	SCREW	3
24	400-06737	拖布板	CLOTH FEED PLATE	1
25	400-06739	送料压板	CLOTH FEED PRESSER PLATE	1
26	SM-1040650-TP	螺钉 M4 L=6	SCREW M4 L=6	4
27	HD-0022300-00	传感器	PHOTO SCREW	1
28	SL-4041281-SC	螺钉 M4×0.7 L=12	SCREW M4×0.7 L=12	1
29	141-11702	传感器安装座	SENSOR INSTALLING BASE	1
30	SM-4040855-SP	螺钉	SCREW	2
31	141-11504	横向送布传感器板	CROSSFED SENSOR SLIT	1
32	SM-6040650-TP	螺钉 M4 L=6	SCREW M4 L=6	1
33	HD-0005700-0A	传感器	PHOTO SENSOR	1
34	SL-4031291-SC	螺钉 M3×12	SCREW M3×12	1
35	141-11801	传感器安装座	SENSOR INSTALLING BASE	1
36	SM-4040855-SP	螺钉	SCREW	1
37	141-36402	纵向送布感应板	LENGTHWISE FEED SENSOR SLIT	1
38	SS-6110480-SP	螺钉 11/64-40 L=4.3	SCREW 11/64-40 L=4.3	1
39	400-39255	支撑板	SUPPORT PLATE	1
40	SM-6040802-TP	螺钉 M4×0.7 L=8	SCREW M4×0.7 L=8	2
41	400-39013	送布架 B	FEED BRACKET B	1
42	B2549-280-000	滚珠	WORK CLAMP FOOT MOUNTING BASE	7
43	B2548-280-000	滚珠座	BALL RETAINER	1
44	SS-8150510-TP	螺钉 15/64-28 L=4.7	SCREW 15/64-28 L=4.7	1
45	B2557-280-00A	驱动臂垫圈	WASHER FOR DRIVING ARM	2
46	B1414-232-00A	滑块	CRANK SLIDE BLOCK	1
47	B1414-232-00B	滑块	GUIDE ROLLER	1
48	CS-0800881-TP	挡圈	THRUST COLLAR	2
49	SM-8050512-TP	螺钉 M5 L=5	SCREW M5 L=5	4
50	WP-0450801-SP	垫圈	WASHER	4
51	262-04008	抬压脚右臂	LIFTING LEVER RIGHT	1
52	262-04107	抬压脚左臂	LIFTING LEVER LEFT	1
53	141-05407	弹簧	CLOTH PRESSER SPRING	2
54	135-18501	拉簧销	SPRING SUSPENSION	1
55	135-18808	压脚盖板	WORK CLAMP FOOT PLATE	1
56	SS-211093-SP	螺钉 11/64-40 L=8.7	SCREW 11/64-40 L=8.7	5
57	SS-7110740-TP	螺钉 11/64-40 L=7	SCREW 11/64-40 L=7	4
58	135-33104	护指器	FINGER GUARD	1
59	135-48300	护指器	FINGER GUARD	1
60	SS-8080310-TP	螺钉 1/8-44 L=2.8	SCREW 1/8-44 L=2.8	2
61	135-18600	右压脚	WORK CLAMP FOOT, RIGHT	1
62	135-18709	左压脚	WORK CLAMP FOOT, LEFT	1
63	135-48102	右压脚	WORK CLAMP FOOT, RIGHT	1
64	135-48201	左压脚	WORK CLAMP FOOT, LEFT	1
65	135-42915	右压脚	WORK CLAMP FOOT, RIGHT	1
66	135-43012	左压脚	WORK CLAMP FOOT, LEFT	1
67	400-06745	驱动板组件 L	LEVER DRIVING PLATE L ASM	1
68	400-06747	驱动板组件 R	LEVER DRIVING PLATE R ASM	1
69	SM-6061802-TP	螺钉 M6 L=18	SCREW M6 L=18	1
70	WP-0621016-SD	垫圈 6.2×13×1	WASHER 6.2×13×1	1
71	400-10570	防尘板	HIDDEN PLATE	1
72	SM-5030501-SC	螺钉 M3 L=5	SCREW M3 L=5	2
73	141-16107	送料板A	FEED PLATE A	1
74	141-16206	送料板B	FEED PLATE B	1
75	135-54803	送料板	FEED PLATE	1
76	141-16800	送料板H	FEED PLATE H	1
77	141-16404	送料板D	FEED PLATE D	1
78	SM-3061052-TP	螺钉 M6 L=10	SCREW M6 L=10	1
79	WP-0621016-SD	垫圈 6.2×13×1	WASHER 6.2×13×1	1
80	400-39012	压脚提升轴	LIFTING LEVER SHAFT B	1
81	SM-4042055-SP	螺钉 M4 L=20	SCREW M4 L=20	2
82	WP-0450801-SP	垫圈	WASHER	2

8.TC CLAMP COMPONENTS

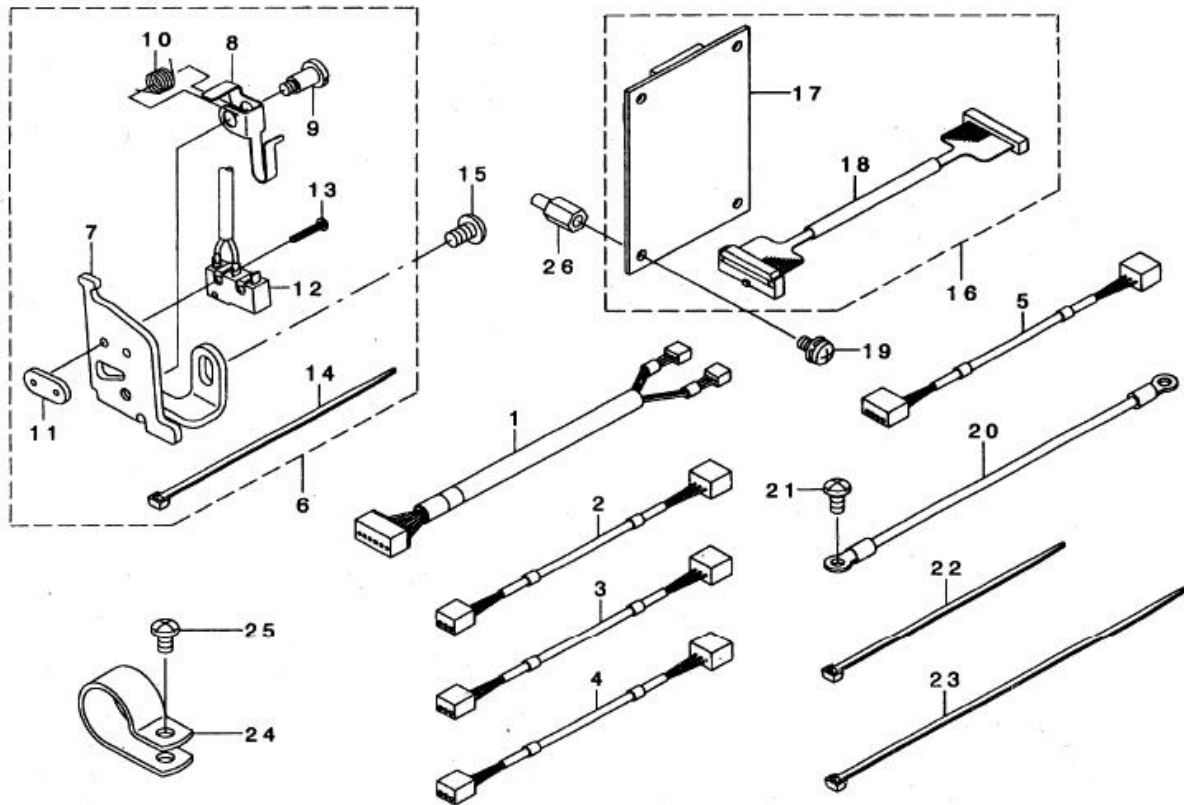
抓线部件



序号	图号	名称	DESCRIPTION	数量
1	400-06761	夹线器	TC CLAMP	1
2	400-06762	夹线器板组件	TC CLAMP PLATE ASM	1
3	400-06765	夹线器移动板	TC SUPPERT PLATE ASM	1
4	400-06768	夹线器压板组件	TC JOINT ASM	1
5	400-15800	夹线器连杆组件	TC-LINK ASM	1
6	SM-2360110-TP	螺钉 M1.6×0.2 L=1.35	SCREW M1.6×0.2 L=1.35	2
7	WP-0320500-SC	垫片 M3	WASHER M3	1
8	RE-0200000-K0	卡簧	E-RING	2
9	SD-0400266-TP	铰链螺钉 D=4 H=2.6	HINGE SCREW D=4 H=2.6	1
10	400-10589	夹线器座	TC BASE	1
11	SM-6040650-TP	螺钉 M4 L=6	SCREW M4 L=6	4
12	400-06772	夹线器凸轮板	TC CAM PLATE	1
13	400-06780	夹线簧	TC SPRING	1
14	400-06781	夹线器座盖板	TC BASE COVER	1
15	SM-6020350-SP	螺钉 M2 L=2.5	SCREW M2 L=2.5	4
16	400-06782	夹线器右槽	TC NOTCH R	1
17	SM-4020600-SP	螺钉 M2 L=6	SCREW M2 L=6	2
18	400-06777	夹线器左槽	TC NOTCH F	1
19	SM-6020450-TP	螺钉	SCREW	2
20	400-10527	夹线器驱动臂组件	TC DRIVING ARM ASM	1
21	400-10528	驱动臂	TC DRIVING ARM	(1
22	400-11152	螺钉	TC ARM SCREW	(2
23	SD-0800406-TP	轴位螺钉 D8 H4	SHOULDER SCREW D8 H4	1
24	400-06776	连接杆	TC CONNECTING LINK	1
25	SD-0350156-TP	铰链螺钉	SHOULDER SCREW	1
26	400-10530	传感器安装座	SENSOR SLIT	1
27	SM-6030502-TP	螺钉销 M3×5	BOLT M3×5	1
28	400-06864	夹线电机	THREAD CLAMP MOTOR	1
29	SM-6041200-SP	螺钉 M4 L=12	SCREW M4 L=12	4
30	400-10531	传感器座	SENSOR INSTALLING BASE	1
31	SM-6040802-TP	螺钉 M4×0.7 L=8	SCREW M4×0.7 L=8	1
32	HD-0005700-0A	传感器	PHOTO SENSOR	2
33	SL-4031091-SC	螺钉 M3×10	SCREW M3×10	2
34	400-10532	防止罩	DUST GUARD	1
35	SM-4030601-SN	螺钉 M3×6	SCREW M3×6	1
36	WP-0450801-SP	垫片	WASHER	1

9.SENSOR COMPONENTS

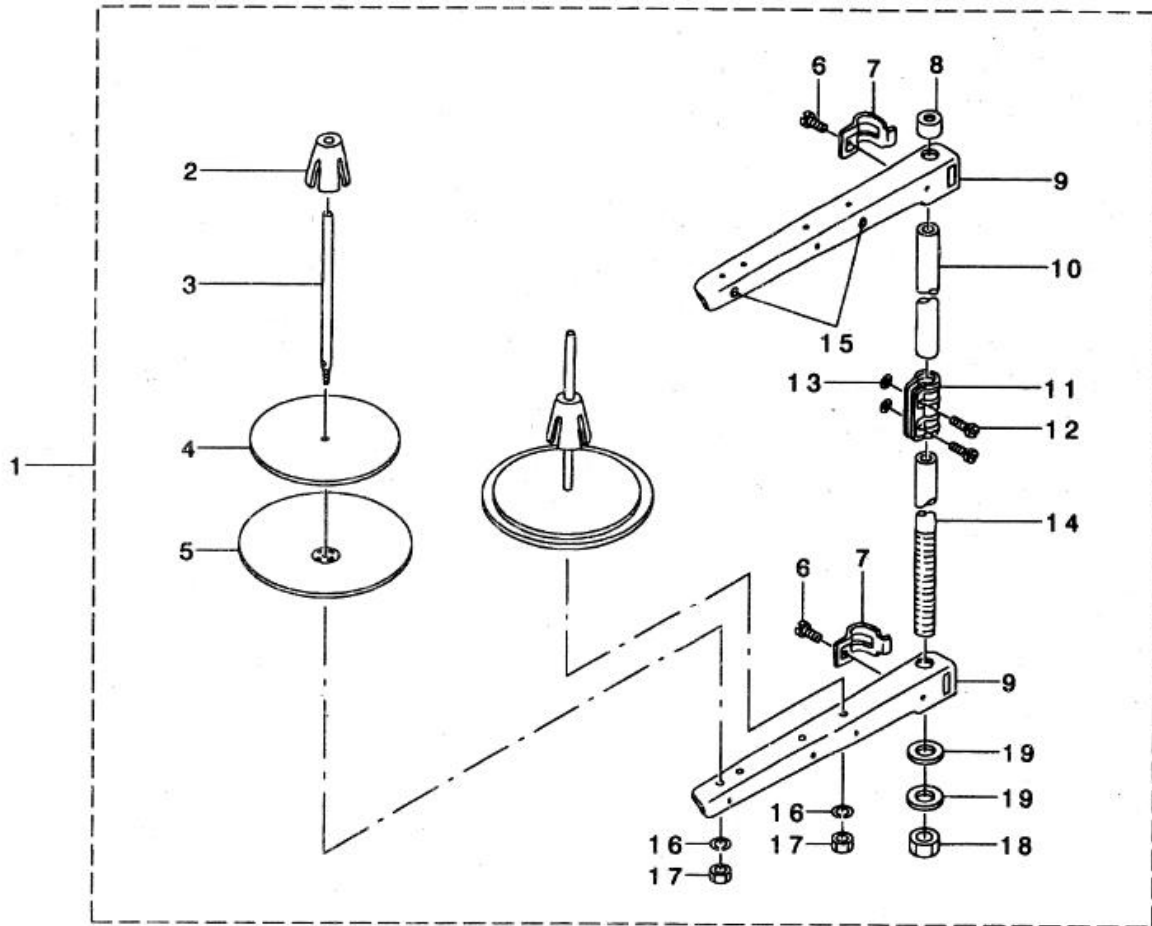
传感器组件



序号	图号	名称	DESCRIPTION	数量
1	400-05729	传感器电缆组件	TH SENSOR CABLE ASM	1
2	400-05731	Y向传感器电缆组件	Y SENSOR CABLE ASM	1
3	400-05732	传感器电缆组件	PF SENSOR CABLE ASM	1
4	400-05730	X向传感器电缆组件	X' SENSOR CABLE ASM	1
5	400-05733	传感器电缆组件	TT SENSOR CABLE ASM	1
6	400-06495	安全设备组件	SAFETY SW ASM	1
7	400-06496	安全开关座	SAFETY SW BASE	(1)
8	236-38109	安全开关	SAFETY SWITCH ARM	(1)
9	400-06497	安全开关铰链螺钉	SAFETY SW ARM SHAFT	(1)
10	236-38208	扭簧	SAFETY SWITCH SPRING	(1)
11	236-38406	铰链螺母	SAFETY SWITCH NUT	(1)
12	400-05734	微动开关	SAFETY SW CABLE ASM	(1)
13	SM-4021201-SC	螺钉 M4 L=12	SCREW M2 L=12	(2)
14	EA-9500B01-00	扎带	CABLE BAND	(1)
15	SM-4050855-SP	螺钉	SCREW	1
16	400-05664	PCB板组件	INT PCB ASM	1
17	400-05660	PCB板	INT PCB	(1)
18	400-05725	电缆	INT CABLE ASM	(1)
19	SL-4040881-SF	螺钉 M4 L=8	SCREW M4 L=8	4
20	141-15554	地线A组件	HEAD GROUND CABLE A ASM	1
21	SM-4040855-SP	螺钉	SCREW	1
22	EA-9500B01-00	扎带	CABLE BAND	6
23	EA-9500B02-00	扎带 150	CABLE BAND 150	3
24	HX-0015000-OK	线卡	CABLE CLIP	1
25	SM-4040855-SP	螺钉	SCREW	1
26	HX-0033900-00	螺钉	STUD	4

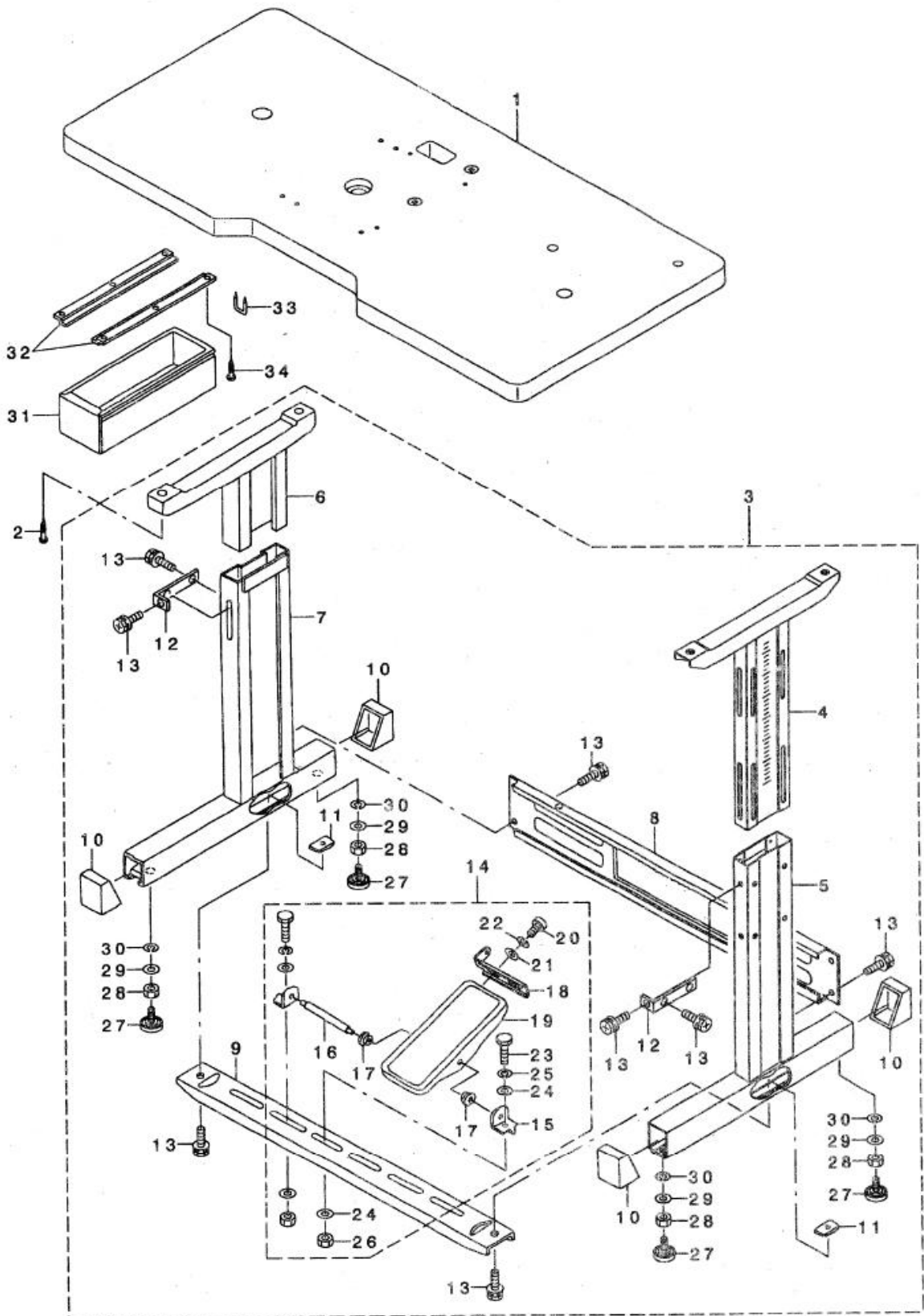
10.THREAD STAND COMPONENTS

线架组件



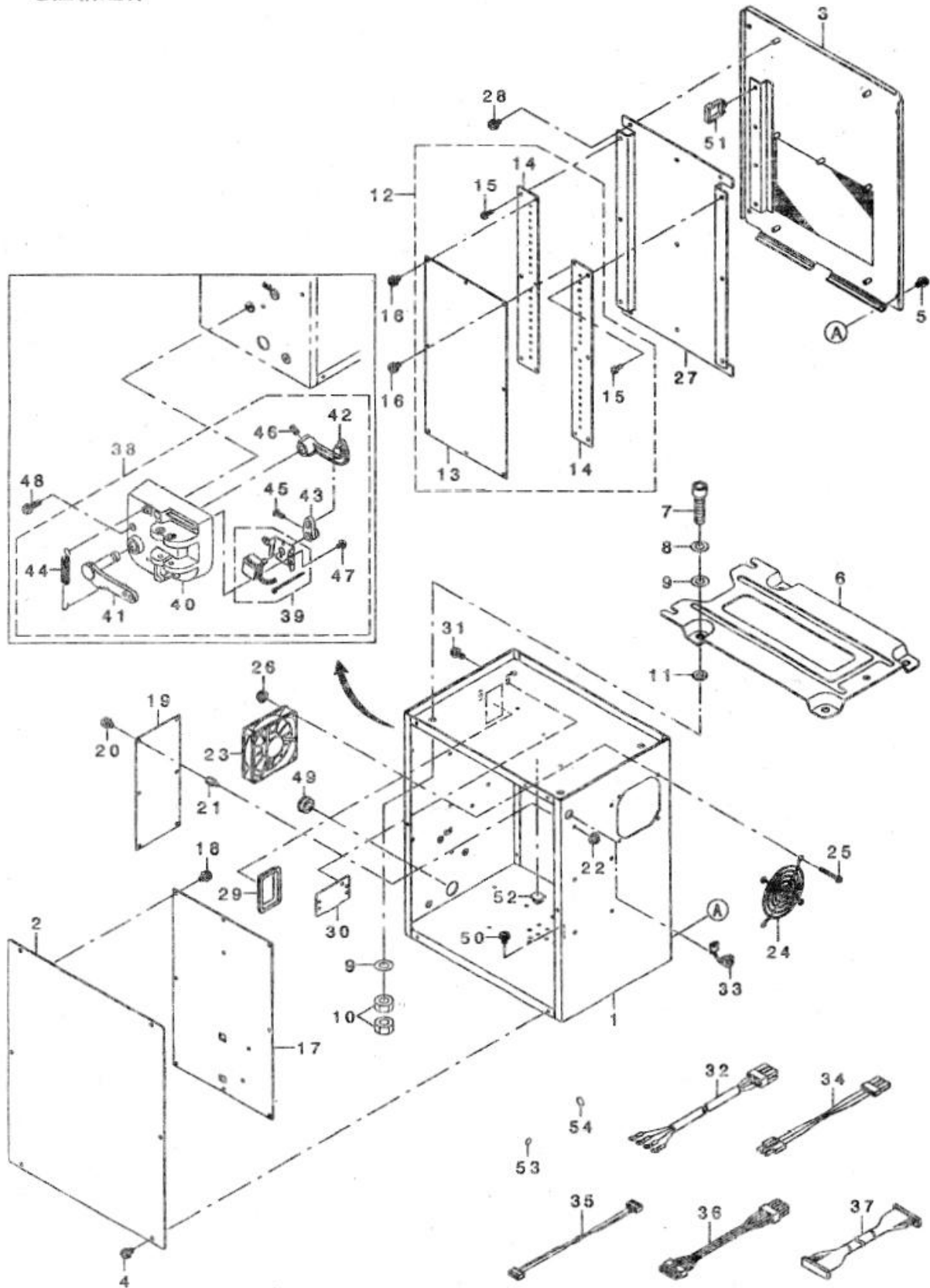
序号	图号	名称	DESCRIPTION	数量
1	229-30358	线架组件	THREAD STAND ASM	1
2	229-31109	线盘钉限位器	SPOOL RETAINER	(2)
3	299-31000	线轴销	SPOOL PIN	(2)
4	229-30903	线盘垫	SPOOL REST CUSHION	(2)
5	229-30804	线盘架	SPOOL REST	(2)
6	SM-6061610-SC	螺钉 M6 L=16	SCREW M6 L=16	(2)
7	229-30705	过线杆连接臂	THREAD GUIDE ARM JOINT	(2)
8	229-31406	线盘盖橡皮盖	SPOOL REST ROD RUBBER CAP	(1)
9	229-30507	线盘组件	SPOOL REST ARM	(2)
10	229-30408	上直杆	SPOOL REST ROD ,UPPEN	(1)
11	229-31307	接头	SPOOL REST ROD JOINF	(1)
12	SM-4051405-SE	螺钉 M5 L=14	SCREW M5, L=14	(2)
13	NM-6050001-SC	螺母 M5	NUT M5	(2)
14	229-30309	下直杆	SPOOL REST ROD ,LOWER	(1)
15	229-31208	过线架	THREAD GUIDE	(2)
16	WS-0510002-KN	弹性垫片	SPRING WASHER	(2)
17	NM-6050001-SC	螺母 M5	NUT M5	(2)
18	NM-6160511-SC	螺母 M16×1.5	NUT M16×1.5	(1)
19	WP-1702600-S0	垫片 17×30×2.6	WASHER 17×30×2.6	(2)

11. TABLE STAND COMPONENTS
台板组件



序号	图号	名称	DESCRIPTION	数量
1	400-06886	台板	TABLE	1
2	SK-3513201-SE	木螺钉 D=5.1 L=32	WOOD SCREW D=5.1 L=32	4
3	141-18053	机架组件	T-STAND COMPL	1
4	141-18152	右立机架 upper 节	UPPER STAND ASM, RIGHT	(1)
5	141-17251	右立机架 lower 节	STAND ASM, RIGHT	(1)
6	B8101-210-AAB	左立机架 upper 节	UPPER STAND ASM,	(1)
7	B8105-210-AAA	左立机架 lower 节	STAND ASM	(1)
8	111-58300	机架侧架	STAND SIDE SUPPORT	(1)
9	111-58409	机架侧架	STAND SIDE SUPPORT	(1)
10	111-58607	橡皮碗	RUBBER CAP	(4)
11	170-07402	螺母	NUT	(2)
12	111-58516	立机架 upper 节固定板	UPPER STAND PLATE	(2)
13	SL-9082091-SE	螺钉	WASHER HEXAGONAL BOLT	(12)
14	138-17754	踏板组件	Z-STAND PEDAL ASM	(1)
15	111-59001	踏板轴支架	PEDAL SHAFT BRACKET	(2)
16	B8153-771-000	踏板连接杆	PEDAL CONNECTING ROD	(1)
17	D8113-555-B00	连接杆套	PEDAL BUSHING	(2)
18	GPF-06080000	踏板调节板	PEDAL ADJUSTING PLATE	(1)
19	GPF-060600A0	踏板	PEDAL ASM	(1)
20	SM-9061203-SE	螺钉 M6 L=12	SCREW M6 L=12	(2)
21	WP-0671016-SE	垫片 6.7×13×1	WASHER 6.7×13×1	(2)
22	WS-0621210-KR	弹性垫片 6.2×11.4×1.2	SPRING WASHER 6.2×11.4×1.2	(2)
23	SM-9082023-SE	螺钉 M8 L=20	SCREW M8 L=20	(2)
24	WP-0871602-SE	垫片 8.7×18×1.6	WASHER 8.7×18×1.6	(4)
25	WS-0861410-KR	弹性垫片 8.6×15×1.4	SPRING WASHER 8.6×15×1.4	(2)
26	NM-6080721-SE	螺母 M8	NUT M8	(2)
27	B8108-555-0A0	调节螺钉 带帽子的	ADJUSTING SCREW ASM. WITH CAP	(4)
28	NM-6120001-SE	螺母 M12	NUT M12	(4)
29	WP-1302501-SE	垫片 M12	WASHER M12	(4)
30	WS-1253010-KN	弹性垫片 12.5×21.5×3	SPRING WASHER 12.5×21.5×3	(4)
31	111-55108	抽屉	DRAWER	1
32	111-55207	抽屉导轨	DRAWER SUPPORT	2
33	D8204-555-D00	导轨限位钩	DRAWER STOPPER	1
34	SK-3311601-SE	木螺钉 D=3.1 L=16	WOOD SCREW D=3.1 L=16	6

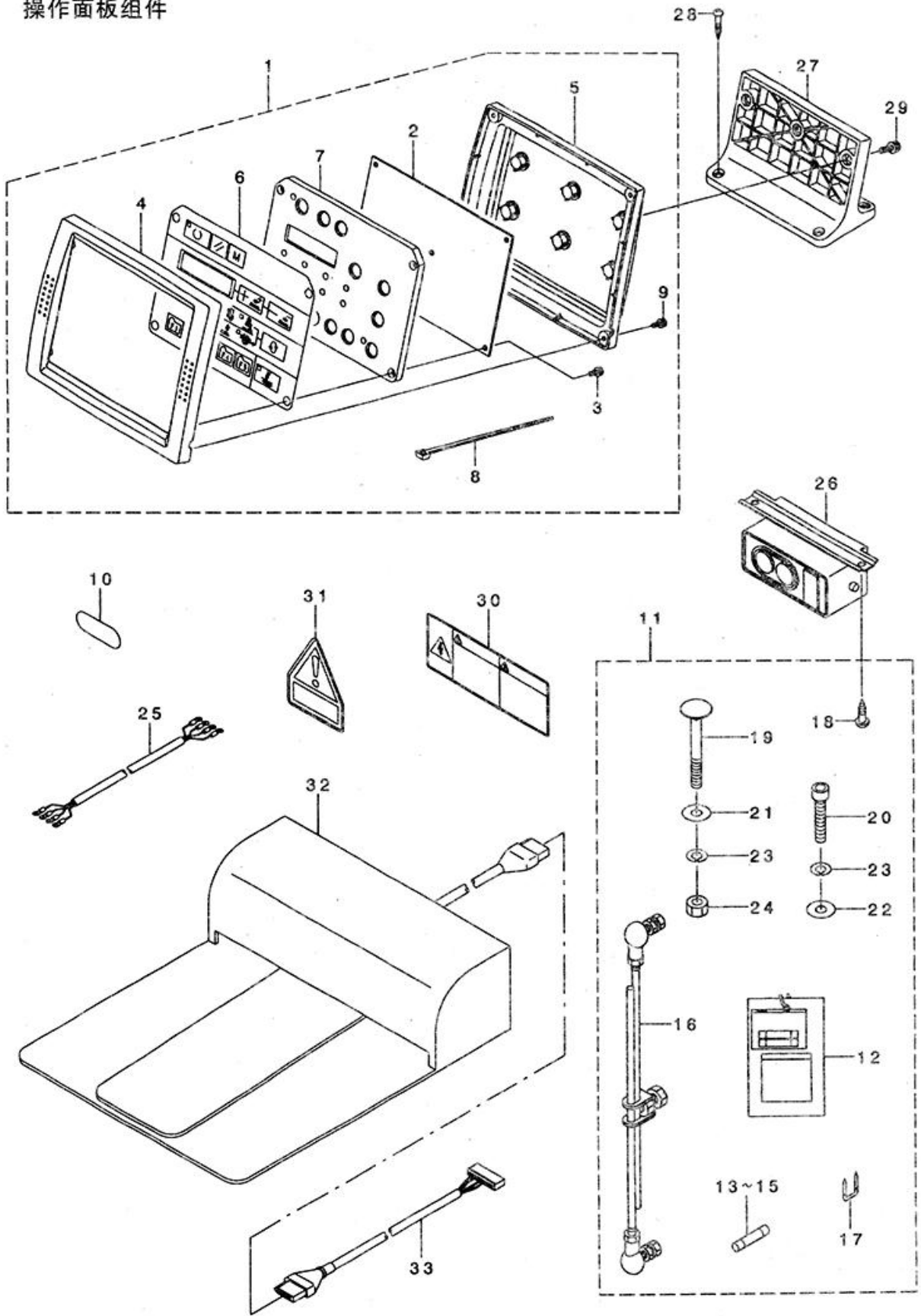
12.CONTROL BOX COMPONENTS
 电控箱组件



序号	图号	名称	DESCRIPTION	数量
1	400-55355	电控箱	CONTROL BOX	1
2	400-55356	电控箱前盖	CONTROL BOX FRONT COVER	1
3	400-55357	电控箱后罩	CONTROL BOX REAR COVER	1
4	SL-4040891-SC	螺钉 M4 L=8	SCREW M4 L=8	6
5	SL-4040891-SC	螺钉 M4 L=8	SCREW M4 L=8	4
6	M3801-476-000	电控箱固定盘	TRANSMISSION BOX FITTING PLATE	1
7	SM-6083002-TN	螺钉 M8 L=30	SCREW M8 L=30	4
8	WS-0820002-KR	弹性垫圈 M8	SPRING WASHER ,M8	4
9	WP-0841601-SC	垫圈 8.4×17.4×1.6	WASHER 8.4×17.4×1.6	8
10	NM-6080001-SC	螺母 M8×1.25	NUT M8×1.25	8
11	M4206-461-000	垫片	WASHER	4
12	400-05648	主电路组件	MAIN PCB ASS'Y	1
13	400-05641	主电路组件	MAIN PCB ASS'Y	(1
14	400-05705	散热片	MAIN PCB HEAT SINK	(2
15	SL-4031081-SF	螺钉 M3 L=10	SCREW M3 L=10	(6
16	SL-4040881-SC	螺钉 M4 L=8	SCREW M4 L=8	6
17	400-00029	SDC板	SDC PCB A ASS'Y	1
18	SL-4040881-SC	螺钉 M4 L=8	SCREW M4 L=8	10
19	400-00056	FLT-T板	FLT-T PCB A ASS'Y	1
20	SL-4040881-SC	螺钉 M4 L=8	SCREW M4 L=8	6
21	HX-0033900-00	柱头螺栓	STUD	6
22	NM-3040520-SC	螺母 M4	NUT M4	6
23	400-05401	风扇	FAN MOTOR ASS'Y	1
24	KM-0000004-80	风扇防护罩	FAN MOTOR	1
25	SL-4043591-SC	螺钉	SCREW	4
26	NM-3040520-SC	螺母 M4	NUT M4	4
27	400-05706	主板按装板	MAIN PCB HOLDER PLATE	1
28	SL-4040881-SC	螺钉 M4 L=8	SCREW M4 L=8	5
29	HX-0040700-00	衬套	BUSH	1
30	178-45009	固定线板	CORD FITTING PLATE	1
31	SL-4041091-SC	螺钉 M4 L=10	SCREW M4 L=10	2
32	400-05391	电源线 3P	POWER CORD 3P ASS'Y	1
33	HX-0041000-0A	套管	STRAIN RELIEF BUSHING	1
34	400-05393	FLT-SDC线P系统	FLT-SDC CORD P ASS'Y	1
35	400-05394	FLT-SDC线S系统	FLT-SDC CORD S ASS'Y	1
36	400-05726	SDC主线P系统	SDC-MAIN CORD P ASS'Y	1
37	400-05727	SDC主线S系统	SDC-MAIN CORD S ASS'Y	1
38	400-03484	踏板传感器组件	PEDAL SENSOR ASM	1
39	400-03485	传感器安装盘	SENSOR FITTING PLATE A ASM	(1
40	M4001-461-000	传感器安装座	PEDAL SENSOR BASE	(1
41	M4002-161-000	踏杆	PEDAL LEVER	(1
42	M4004-461-000	踏板环	PEDAL RING	(1
43	M4005-461-000	踏板接头	VOLUME LINK	(1
44	M4007-351-000	弹簧	FRONT SPRING	(1
45	SM-4030801-SF	螺钉 M3×0.5 L=8	SCREW M3×0.5 L=8	(1
46	SM-8040802-TP	螺钉 M4×8	SCREW M4×8	(2
47	SV-4030601-SR	螺钉 M3 L=6	SCREW M3 L=6	(2
48	SL-4041681-SF	螺钉 M4 L=16	SCREW M4 L=16	3
49	HX-0018800-0D	衬套	BUSH	1
50	SL-4040891-SC	螺钉 M4 L=8	SCREW M4 L=8	2
51	HX-0051100-00	线卡	WIRE SADDLE	3
52	E9607-603-000	粘纸 (小的)	STICKER (SMALL)	1
53	E9567-319-000	接地标志	EARTH MARK	1
54	400-03458	密封垫	MASK SEAL	10

3. OPERATION PANEL COMPONENTS

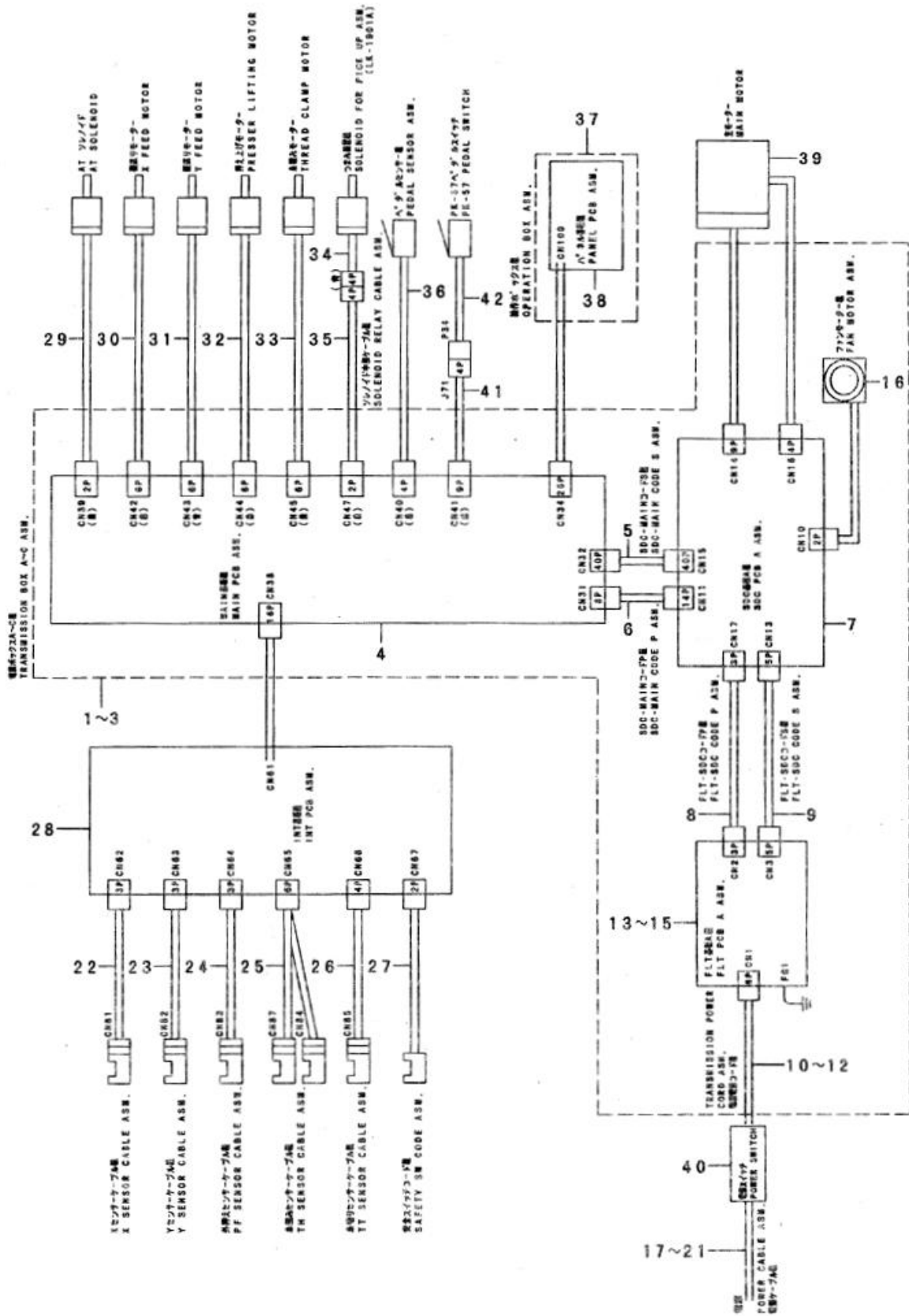
操作面板组件



序号	图号	名称	DESCRIPTION	数量
1	400-05695	控制箱组件	OPERATION BOX A ASM	1
2	400-05677	PCB板系统	PANEL PCB ASS'Y	(1
3	SL-4031081-SC	螺钉 M3×10	SCRERW M3×10	(4
4	400-05692	控制箱前盖	OPERATION BOX FRONT CASE	(1
5	400-05693	控制箱后盖	OPERATION BOX REAR CASE	(1
6	400-05691	操纵板说明	OPERATION PANEL SHEET	(1
7	400-05694	面板固定板	PANEL PCB HOLDER PLATE	(1
8	EA-9500B01-00	线卡	CABLE BAND	(1
9	SL-4031081-SC	螺钉 M3×10	SCREW M3×10	(4
10	BME-03200000	电压标签	VOLTAGE INDICATION SEAL	1
11	400-05385	脚踏连杆A组件	ACCESSORIE PARTS A ASM	1
12	M3004-511-00A	保险丝包	VOLTAGE INDICATION CARD, A	(1
13	HF-0013031-5S	保险丝 3.15A 250V	FUSE 3.15A 250V REF.NO.112	(1
14	HF-0030002-00	保险丝 2A (220/240V)	FUSE 2A (220/240V)	(1
15	HF-0013050-P0	保险丝 5A	FUSE 5A	(1
16	229-58458	连杆组件	CONNECTING ROD ASM. B	(1
17	MA0-11532000	线卡	CORD STAPLE	(3
18	SK-3512001-SE	木螺钉 D=5.1 L=20	WOOD SCREW D=5.1 L=20	(2
19	MTS-HJ100003	螺钉	BOLT	(2
20	SM-6084002-TN	螺钉 M8 L=40	SCREW M8 L=40	(1
21	WP-0852086-SC	垫片 M8	WASHER M8	(2
22	WP-0841601-SC	垫片 8.4×17.4×1.6	WASHER 8.4×17.4×1.6	(1
23	WS-0810001-KR	弹簧垫片 M8	SPRING WASHER ,M8	(3
24	NM-6080002-SC	螺母 M8	NUT M8	(2
25	M9017-580-0A0	电源电缆线	POWER CABLE ASM	1
26	HA-0042500-00	开关	SWITCH	1
27	400-05697	操作板固定板	OPERATION BOX FITTING PLATE	1
28	SK-3382001-SE	螺钉 D=3.8 L=20	SCREW D=3.8 L=20	4
29	SL-4041691-SC	螺钉 M4 L=16	SCREW M4 L=16	3
30	CM-3001004-01	标签 3 (大的)	LABEL 3 (LARGE)	1
31	CM-3004006-01	电压标签	VOLTAGE CAUTION LABEL	1
32	GPK-570010B0	踏板开关组件	PEDAL SWITCH ASM	1
33	M9013-590-0A0	踏板开关电缆线组件	PK57 TRANSFER CABLE ASM	1

14. WIRING DIAGRAM

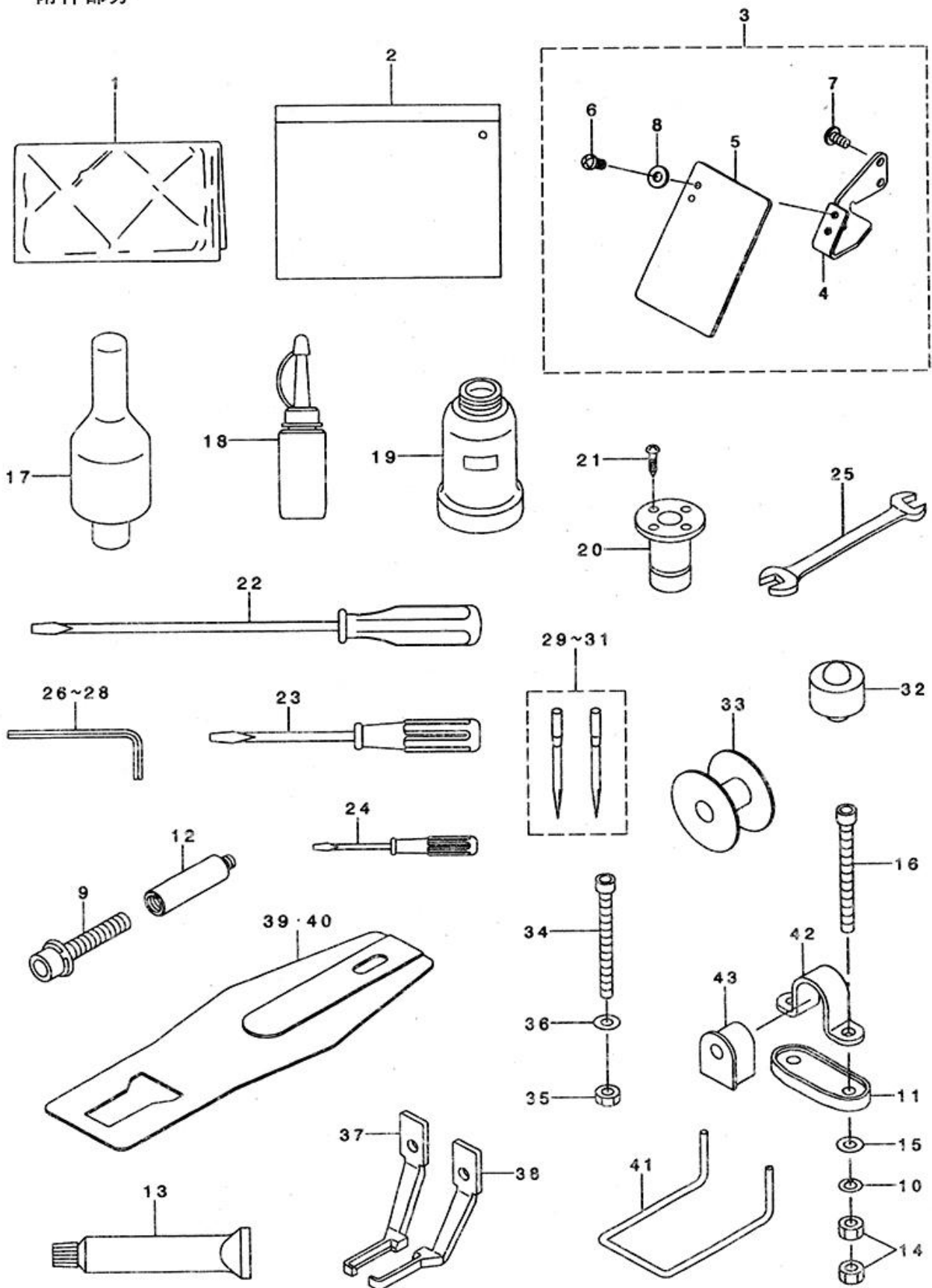
电线图表



序号	图号	名称	DESCRIPTION	数量
1	400-05700	控制箱组件A	CONTROL BOX A ASM	1
2	400-05701	控制箱组件B	CONTROL BOX B ASM	1
3	400-05702	控制箱组件C	CONTROL BOX C ASM	1
4	400-05648	主PCB板系统	MAIN PCB ASS'Y	(1
5	400-05727	SDC板主线S系统	SDC-MAIN CORD S ASS'Y	(1
6	400-05726	SDC板主线P系统	SDC-MAIN CORD P ASS'Y	(1
7	400-00029	SDC系统	SDC PCB A ASS'Y	(1
8	400-05393	FLT-SDC线P系统	FLT-SDC CORD P ASS'Y	(1
9	400-05394	FLT-SDC 3P系统	FLT-SDC CORD S ASS'Y	(1
10	400-05391	电源线 3P系统	POWER CORD 3P ASS'Y	(1
11	400-05392	电源线 P系统	POWER CORD 1P ASS'Y	(1
12	400-05388	电源线P系统	POWER CORD 1P220V ASS'Y	(1
13	400-00056	FLT-T PCB A系统	FLT-T PCB A ASS'Y	(1
14	400-00046	FLT-T PCB A系统	FLT-S PCB A ASS'Y	(1
15	400-00046	FLT-T PCB A系统	FLT-S PCB A ASS'Y	(1
16	400-05401	风扇电机系统	FAN MOTOR ASS'Y	(1
17	M9017-580-0A0	电源电缆组件	POWER CABLE ASM	1
18	M9035-580-0A0	电源电缆组件	POWER SOURCE CORD ASM	1
19	M9034-580-0A0	地线系统	GROUND CORD ASM	1
20	400-05391	电源电缆系统	POWER CABLE JE ASS'Y	1
21	M9024-580-0A0	电源电缆组件100V	POWER CABLE ASM , 100V	1
22	400-05730	X传感器电缆组件	X SENSOR CABLE ASM	1
23	400-05731	Y传感器电缆组件	Y SENSOR CABLE ASM	1
24	400-05732	PF传感器电缆组件	PF SENSOR CABLE ASM	1
25	400-05729	TH传感器电缆组件	TH SENSOR CABLE ASM	1
26	400-05733	TH传感器电缆组件	TT SENSOR CABLE ASM	1
27	400-05734	安全开关电缆组件	SAFETY SW CABLE ASM	1
28	400-05664	INT PCB 板组件	INT PCB ASM	1
29	400-06628	AT电磁铁	AT SOLENOID	1
30	400-29901	X送布马达	X FEED MOTOR	1
31	400-29902	Y送布马达	Y FEED MOTOR	1
32	400-29903	压脚提升马达	PRESSER LIFTING MOTOR	1
33	400-06864	夹线马达	THREAD CLAMP MOTOR	1
34	400-06912	提升感应器	SOLENOID FOR PICK UP ASM	1
35	400-05728	电磁铁电缆组件	SOLENOID RELAY CABLE ASM	1
36	400-03484	踏板感应组件	PEDAL SENSOR ASM	1
37	400-05695	操控箱A组件	OPERATION BOX A ASM	1
38	400-05677	面板PCB组件	PANEL PCB ASS'Y	(1
39	400-28015	交流伺服电机	AC SERVO MOTOR	1
40	HA-0042500-00	开关	SWITCH	1
41	M9013-590-0A0	通讯电缆	PK57 TRANSFER CABLE ASM	1
42	GPK-570010B0	踏板开关组件	PEDAL SWITCH ASM	1

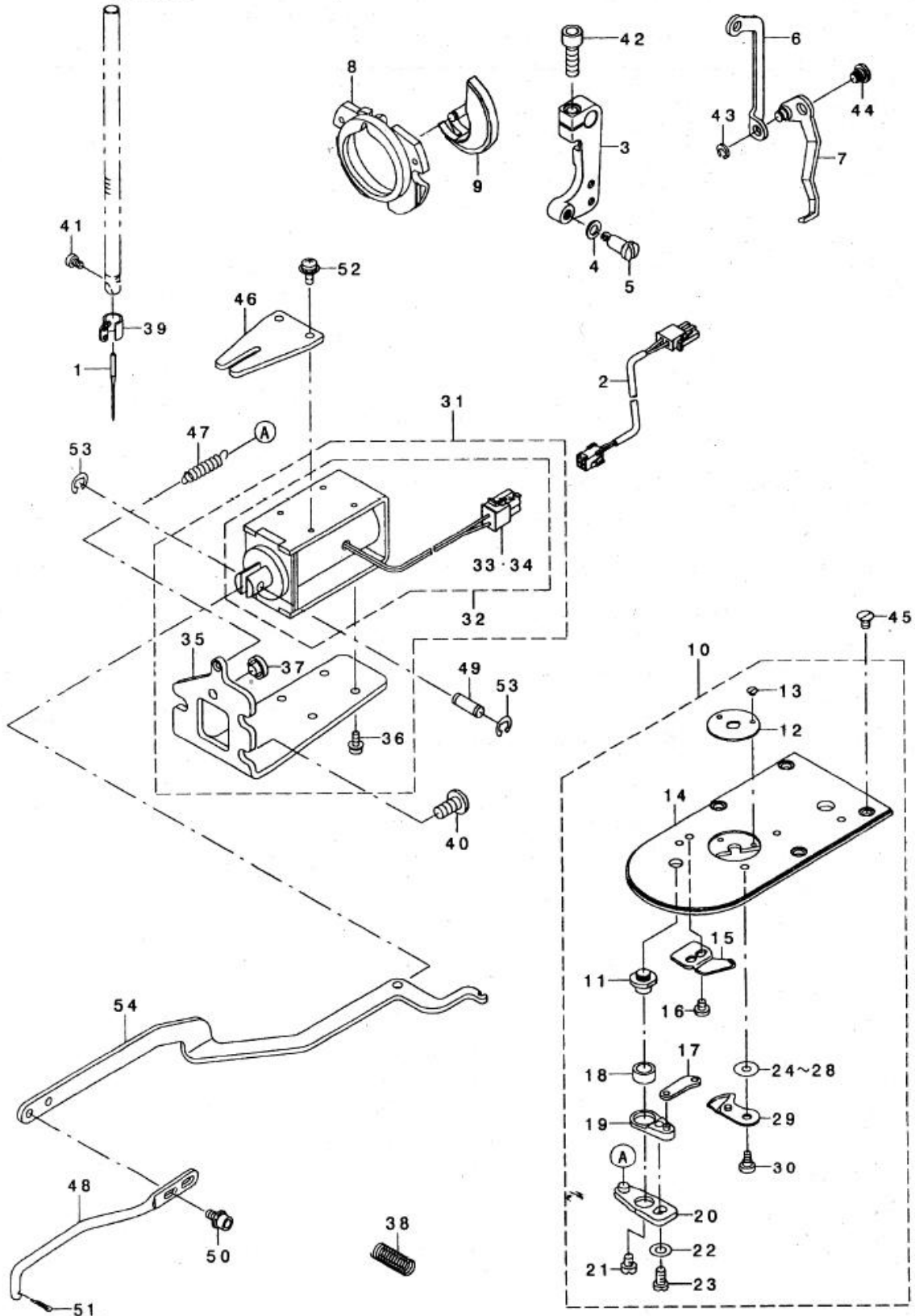
15.ACCESSORIE PART COMPONENTS

附件部分



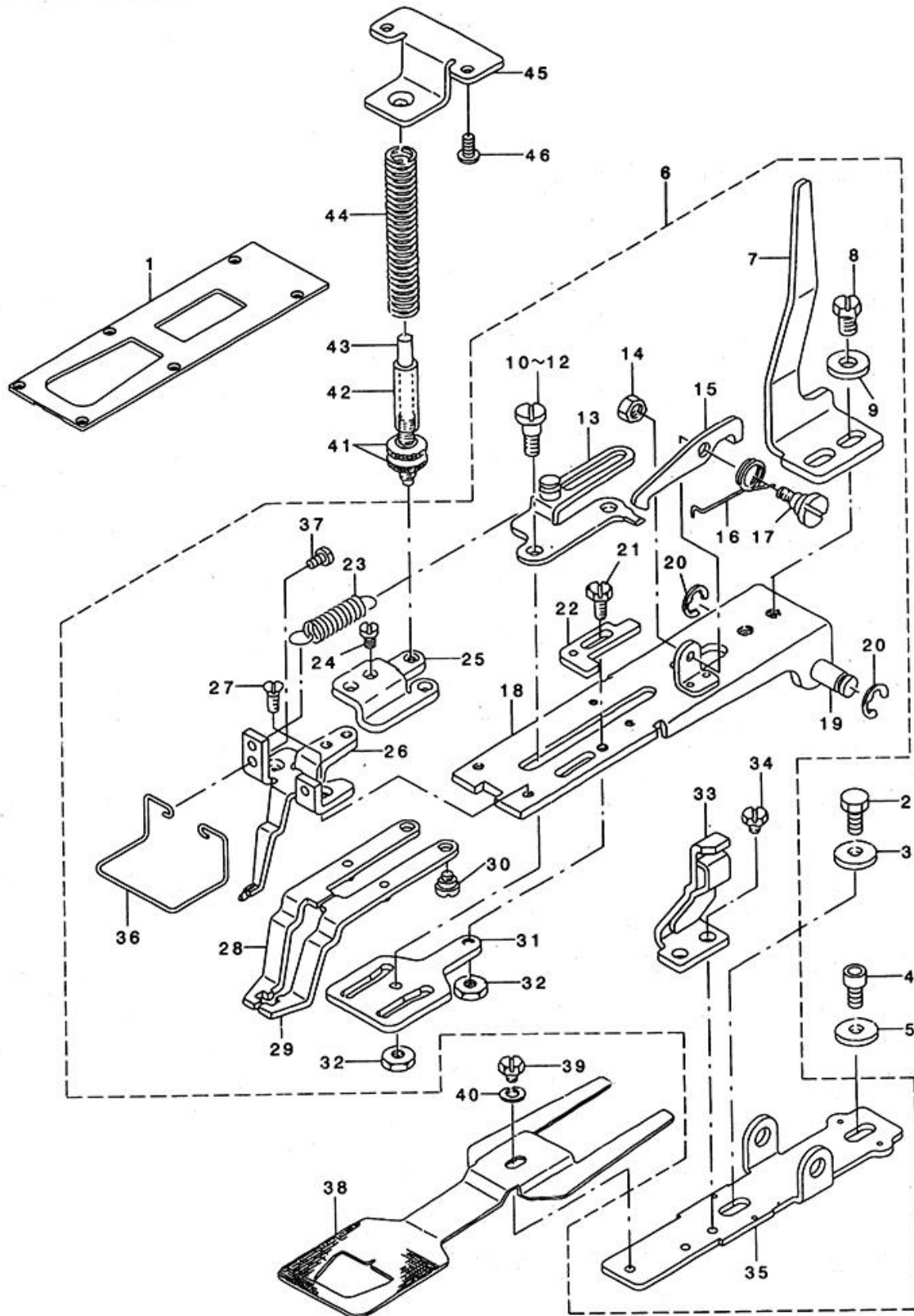
序号	图号	名称	DESCRIPTION	数量
1	400-48536	机头盖	HEAD COVER	1
2	229-32800	包装袋	ACCESSORIE BAG	1
3	400-06484	安全板组件	SAFETY PLATE ASM	1
4	400-51987	安全板固定板	SAFETY PLATE BASE	(1
5	B3120-372-000	安全挡板	SAFETY PLATE	(1
6	SM-4040655-SP	螺钉 M4 L=6	SCREW M4 L=6	(2
7	SM-4040855-SP	螺钉	SCREW	(1
8	WP-0450801-SD	垫片 4.5×10×0.8	WASHER 4.5×10×0.8	(2
9	SL-6084092-TN	螺钉	BOLT	1
10	WS-0610002-KN	弹簧垫片 6.1×2.2×1.5	SPRING WASHER 6.1×2.2×1.5	4
11	400-16195	铰链座	BED HINGE RUBBER	2
12	400-36110	加油脂螺钉B	GREASE JOINT B	1
13	400-13640	油脂B	GREASE B TUBE	1
14	NM-6060001-SC	螺母 M6	NUT M6	8
15	WP-0651646-SC	垫片	WASHER	4
16	SM-6066002-TN	螺钉 M6 L=60	BOLT M6 L=60	4
17	141-01208	机头支杆	HEAD SUPPORT BAR	1
18	B9121-220-0A0	油 (自带2号油)	OILER(CONTAINING NO. 2 OIL)	1
19	B9121-012-000	油壶	OIL CAN	1
20	B8202-205-000	油壶安装板	OIL MANAGEMENT	1
21	SK-3311601-SE	木螺钉 D=3.1 L=16	WOOD SCREW D=3.1 L=16	4
22	229-3306	螺钉起子 大的	SCREW DRIVER ,LARGE	1
23	229-33105	螺钉起子 中的	SCREW DRIVER ,MIDDLE	1
24	229-33204	螺钉起子 小的	SCREW DRIVER ,SMALL	1
25	B9113-012-000	扳手 (9×10)	WRENCH(9×10)	1
26	B9140-372-000	六角扳手 小的	HEXAGONAL WRENCH, SMALL	1
27	B9141-372-000	六角扳手 大的	HEXAGONAL WRENCH, LARGE	1
28	GCT-02906000	六角扳手 中的	HEXAGONAL SPANNER	1
29	MDP-500B1402	机针 DP×5 #14-2	NEEDLE DP×5#14-2	1
30	MDP-170B2102	机针 DP×17 #21-2	NEEDLE DP×17#21-2	1
31	MDP-500B1102	机针 DP×5 #11-2	DP×5# 11-2	1
32	400-16194	机头防震垫	FRAME SUPPORT RUBBER	2
33	138-12102	梭心	BOBBIN	1
34	SM-6066002-TN	螺钉 M6 L=60	BOLT M6 L=60	1
35	NM-6060001-SC	螺母 M6	NUT M6	1
36	WP-0651646-SC	垫片	WASHER	1
37	135-71906	右压脚	CLOTH PRESSER FOOT (RIGHT)	1
38	135-72003	左压脚	CLOHT PRESSER FOOT (LEFT)	1
39	141-16503	送料板 E	FEED PLATE E	1
40	141-16909	送料板 I	FEED PLATE I	1
41	135-73407	护指器	FINGER GUARD	1
42	B1111-210-D00	压板	BED HINGE	2
43	B1115-210-D00	铰链橡皮	HINGE RUBBER	2

16.EXCLUSIVE PARTS FOR 1900AS (1)
1900AS专用部件



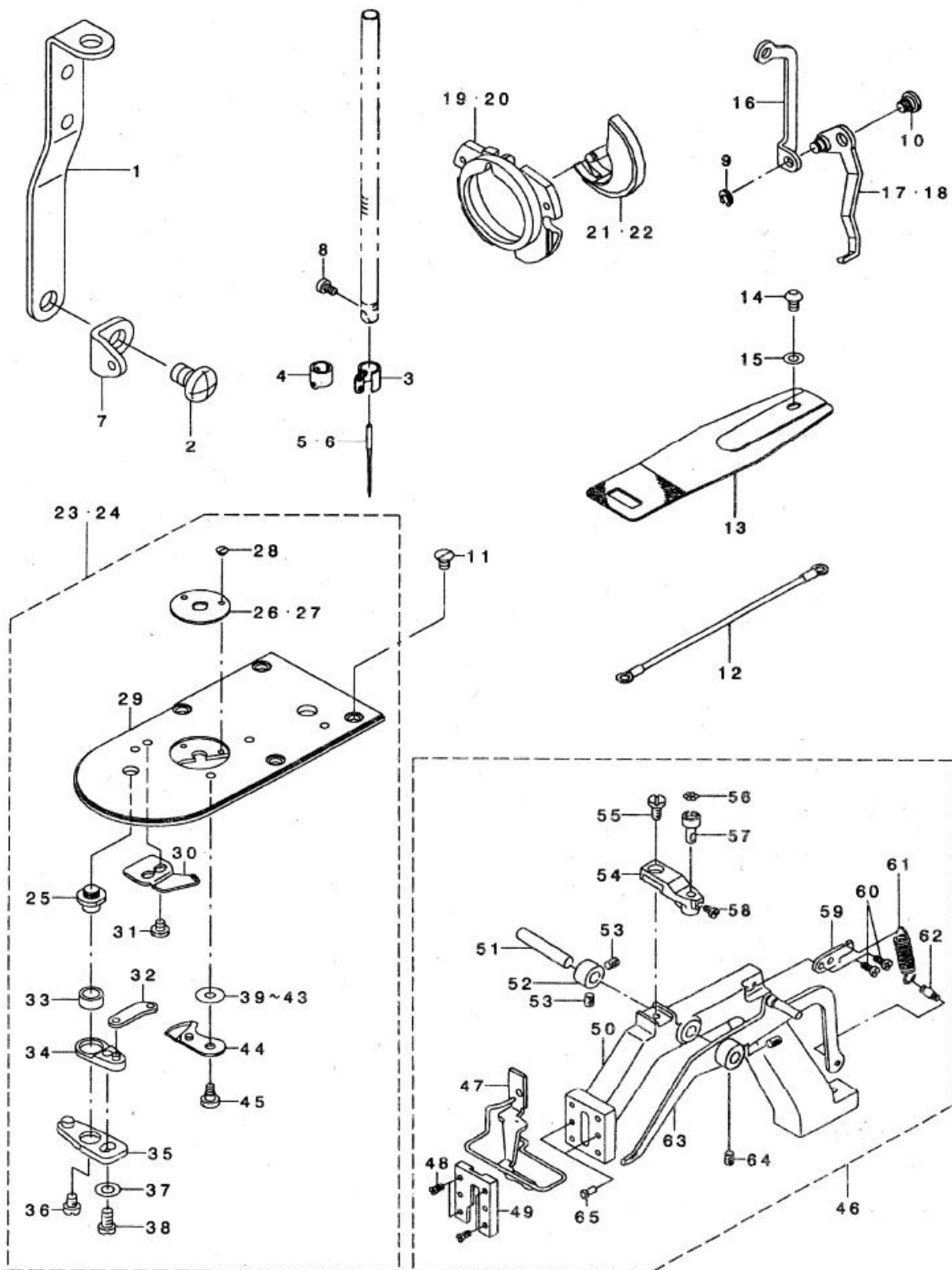
序号	图号	名称	DESCRIPTION	数量
1	MDP-500B1400	机针 DP×5 #14	NEEDLE DP×5 #14	1
2	400-05728	电磁铁连接线	SOLENOID RELAY CABLE ASM	1
3	400-11949	连杆B	CONNECTING ARM B	1
4	WP-0651056-SH	垫圈 6.5×11×1	WASHER 6.5×11×1	1
5	SD-1201506-TP	铰链螺钉	SHOULDER SCREW	1
6	400-10458	拔线连接杆	WIPER CONNECTING PLATE	1
7	B2101-280-0A0	拔线组件	WIPER ASM	1
8	141-03352	梭床盖 B	INNER HOOK PRESSER ASM B	1
9	400-06580	摆梭	SHUTTLE	1
10	400-06722	针板组件 A	NEEDLE PLATE ASM A	1
11	B2417-280-000	剪线杠杆轴	THREAD CUTTER LEVER SHAFT	(1)
12	B2426-280-000	导向板	NEEDLE HOLE GUIDE	(1)
13	SS-1060210-TP	螺钉 3/32-56 L=2.2	SCREW 3/32-56 L=2.2	(2)
14	400-06721	针板组件 A	NEEDLE PLATE ASM A	(1)
15	B2424-280-000	固定刀	FIXING KNIFE	(1)
16	SS-7090410-SP	螺钉 9/64-40 L=3.5	SCREW 9/64-40 L=3.5	(1)
17	B2418-280-000	动刀连杆	MOVING KNIFE LINK	(1)
18	B2416-280-000	剪线杠杆套	THREAD CUTTING LEVER RING	(1)
19	B2415-280-0A0	剪线杠杆组件(小)	THREAD CUTTER LEVER ASM SMAL	(1)
20	B2414-280-0A0	剪线杠杆组件(大)	THREAD CUTTER LEVER ASM LARG	(1)
21	SS-6110430-TP	螺钉 11/64-40 L=4.0	SCREW 11/64-40 L=4.0	(1)
22	WP-0450846-SP	垫圈	WASHER	(1)
23	SS-7110740-TP	螺钉 11/64-40 L=70	SCREW 11/64-40 L=70	(1)
24	B2423-280-00C	动刀片垫圈C	MOVING KNIFE WASHER C	(1)
25	B2423-280-00A	动刀片垫圈A	MOVING KNIFE WASHER A	(1)
26	B2423-280-00B	动刀片垫圈B	MOVING KNIFE WASHER B	(1)
27	B2423-280-00D	动刀片垫圈D	MOVING KNIFE WASHER D	(1)
28	B2423-280-00E	动刀片垫圈E	MOVING KNIFE WASHER E	(1)
29	B2421-280-0A0	动刀组件	MOVING KNIFE ASM	(1)
30	SD-0500091-TP	铰链螺钉 D=5.0 H=0.9	HINGE SCREW D=5.0 H=0.9	(1)
31	400-06912	电磁铁组件	SOLENOID FOR PICK UP ASM	1
32	141-41758	电磁铁	SOLENOID FOR PICK-UP COMPL	(1)
33	HK-0346100-4A	电线接头 4P	HOUSING BLUE 4P	(1)
34	HK-0346400-00	连接线	PIN CONTACT	(2)
35	400-06913	电磁铁安装板	SOLENOID INSTALLING BASE	(1)
36	SL-4030881-SC	螺钉 M3×8	SCREW M3×8	(4)
37	122-58000	橡皮塞	BUSH	(1)
38	141-48407	弹簧	VERTICAL FEED SHAFT SPRING	2
39	400-06525	机针过线勾	NEEDLE BAR THREAD GUIDE	1
40	SM-4061255-SP	螺钉 M6 L=12	SCREW M6 L=12	3
41	SM-6030500-SN	螺钉 M3 L=5	SCREW M3 L=5	1
42	SM-6061802-TP	螺钉 M3 L=18	SCREW M6 L=18	1
43	B1229-232-000	卡簧	SNAP RING	1
44	SD-0640216-TP	铰链螺钉	SHOULDER SCREW	1
45	SM-1040650-TP	螺钉	SCREW	4
46	141-42103	连接导向板	CONNECTING LINK GUIDE	1
47	B1657-506-E00	弹簧	SPRING	1
48	135-40604	连杆B	DRIVING BAR B	1
49	B3027-450-00B	连接销	PIN CONTACT	1
50	SL-6040892-TN	螺钉	BOLT	2
51	PD-0201000-0B	开口销	SPLIT PIN	1
52	SL-4030681-SC	螺钉 M3 L=6	SCREW M3 L=6	2
53	RC-0410415-KP	卡簧	C-RING	2
54	400-06914	连接压板	WORK CLAMP CONNECTING LINK	1

17.EXCLUSIVE PARTS FOR 1900AS (2)
1900AS专用部件



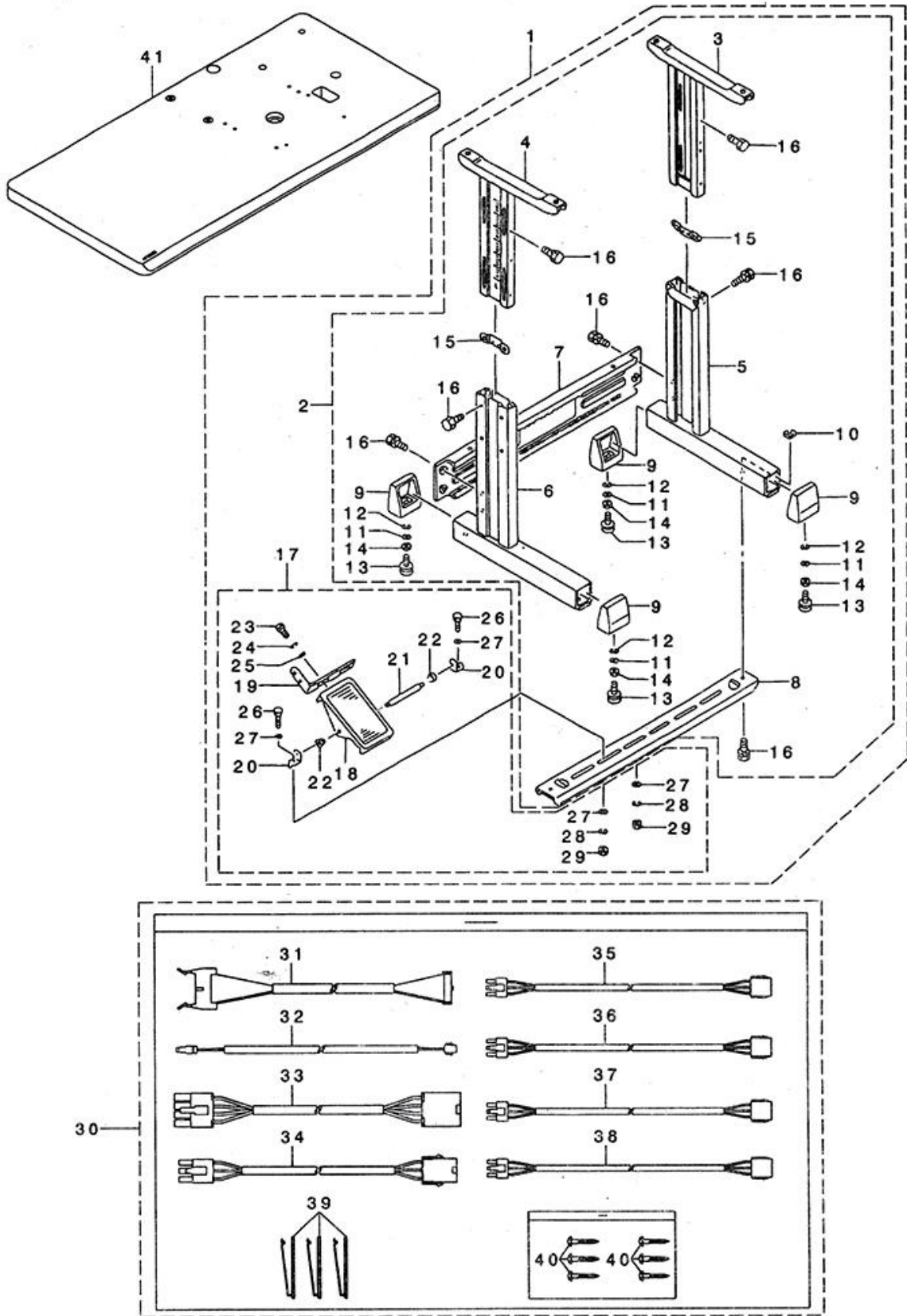
序号	图号	名称	DESCRIPTION	数量
1	400-06935	送料盖板B	CROTH FEED PRESSER PLATE B	1
2	SM-9061403-CP	螺钉 M6 L=14	SCREW M6 L=14	1
3	WP-0612516-SD	垫圈 6.1×15.2×2.5	WASHER 6.1×15.2×2.5	1
4	SM-6061202-TP	螺钉 M6 L=12	SCREW M6 L=12	1
5	WP-0612516-SD	垫圈 6.1×15.2×2.5	WASHER 6.1×15.2×2.5	1
6	141-40255	压脚组件	WORK CLAMP FOOT BRACKET COMPL	1
7	135-41404	支架	WORK CLAMP FOOT LIFTING PLATE	(1
8	SS-9151120-CP	螺钉 15/64-28 L=11	SCREW 15/64-28 L=11	(2
9	WP-0612516-SD	垫圈 6.1×15.2×2.5	WASHER 6.1×15.2×2.5	(2
10	D2545-232-D0A	铰链螺钉	HINGE SCREW	(2
11	D2545-232-D0B	铰链螺钉	HINGE SCREW	(2
12	D2545-232-D0C	铰链螺钉	HINGE SCREW	(2
13	141-41055	压板	PULLING PLATE COMPL	(1
14	NS-6110530-SP	螺母 11/64-40	NUT 11/64-40	(1
15	141-41105	勾板	FIXING HOOK	(1
16	D2512-232-D00	扭簧	TORSION SPRING	(1
17	D2511-232-D00	螺钉	SCREW	(1
18	141-40354	压脚底板	INSTALLING BASE COMPL	(1
19	141-41402	压脚底板轴	INSTALLING SHAFT	(1
20	RE-0700000-K0	卡簧 7	E-RING 7	(2
21	SS-9110920-CP	螺钉 11/64-40 L=9	SCREW 11/64-40 L=9	(1
22	141-40909	调整板	ADJUSTING PLATE	(1
23	D2515-232-D00	扭簧	TORSION SPRING	(1
24	SS-7110510-SP	螺钉 11/64-40 L=5	SCREW 11/64-40 L=5	(2
25	135-41107	压脚弹簧固定板	WORK CLAMP FOOT SPRING HOLDER	(1
26	141-40552	压脚分支架	PICK-UP GUIDE COMPL	(1
27	SS-1110640-TP	螺钉 11/64-40 L=5.5	SCREW 11/64-40 L=5.5	(2
28	D2520-232-DA0	左压脚组件	WORK CLAMP FOOT(LEFT)ASM	(1
29	D2521-232-DA0	右压脚组件	WORK CLAMP FOOT(RIGHT)ASM	(1
30	SD-0550271-TP	铰链螺钉 D=5.50 H=2.7	HINGE SCREW D=5.50 H=2.7	(2
31	141-41204	凸轮板	PLATE CAM	(1
32	NS-6120480-SP	螺母 3/16-28	NUT 3/16-28	(2
33	141-40750	固定支板	PREVENTING PLATE COMPL	(1
34	SS-9110460-CP	螺钉 11/64-40 L=4	SCREW 11/64-40 L=4	(2
35	141-40206	底板压座	PICK-UP INSTALLING BASE	(1
36	141-41501	护指器	FINGER GUARD	(1
37	SS-7090610-SP	螺钉 9/64-40 L=6	SCREW 9/64-40 L=6	(2
38	135-41503	送料板	FEED PLATE	1
39	SS-9110460-CP	螺钉 11/64-40 L=4	SCREW 11/64-40 L=4	1
40	WP-0501016-SD	垫圈 5×10.5×1	WASHER 5×10.5×1	1
41	B3117-352-000	螺母	THREAD TENSION POST NUT	2
42	D2527-232-D00	调节轴	SLEEVE	1
43	D2528-232-D00	轴	SHAFT	1
44	D2529-232-D00	压簧	PRESSER SPRING	1
45	135-41602	固定板	WORK CLAMP FOOT SPRING HOLDER	1
46	SM-5040855-SN	螺钉	SCREW	2

18. EXCLUSIVE PARTS FOR 1902AS, 1902AH(1)
 1902AS, 1902AH 专用部件



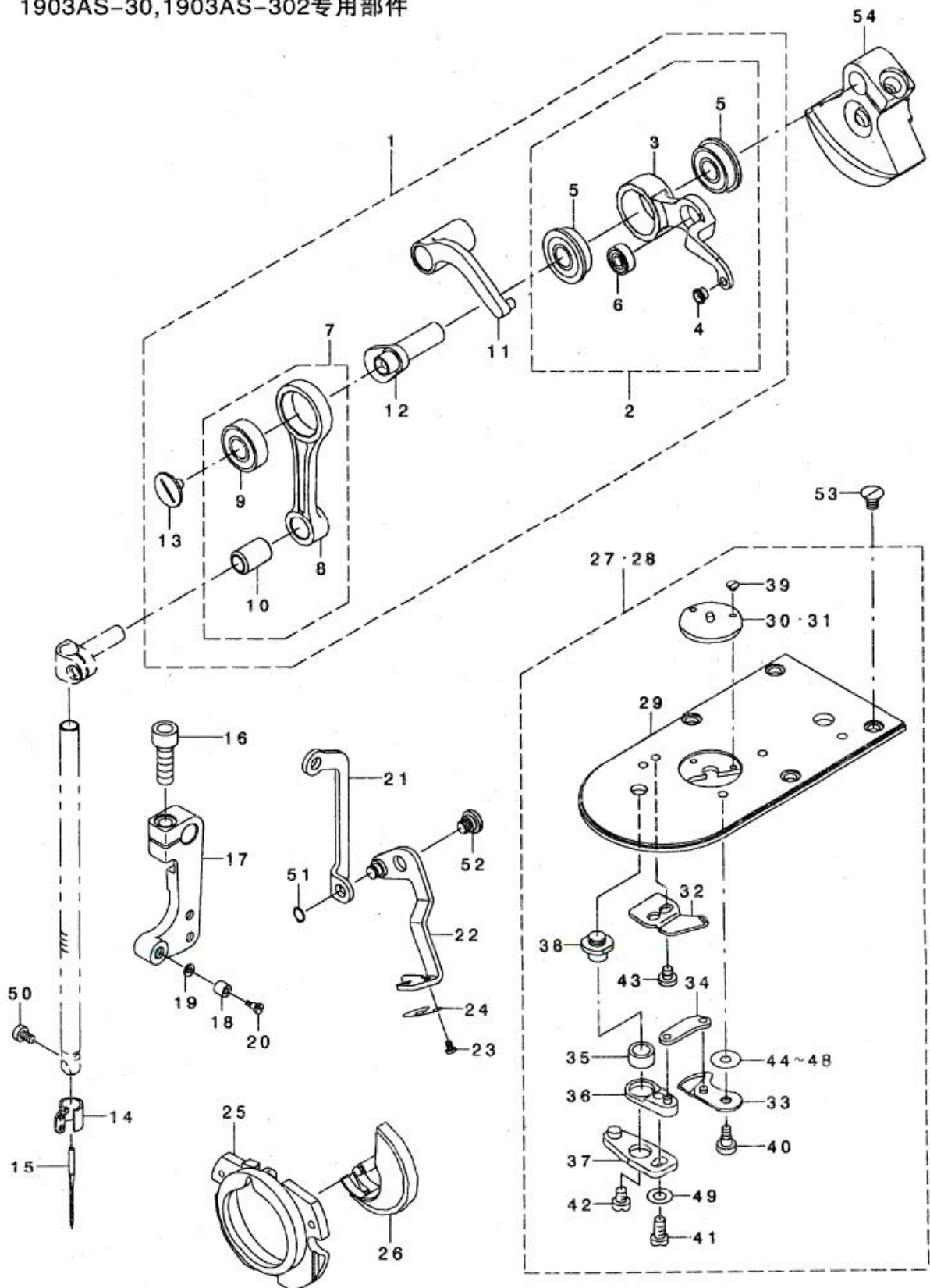
序号	图号	名称	DESCRIPTION	数量
1	B1114-581-000	调节长杆	THREAD GUIDE PLATE	1
2	SM-4061255-SP	螺钉 M6 L=12	SCREW M6 L=12	1
3	400-06525	针杆过线勾	NEEDLE BAR THREAD GUIDE	1
4	D1405-L7A-M00	针杆过线勾	NEEDLE BAR THREAD GUIDE	1
5	MDP-500B1400	机针 DP×5 #14	NEEDLE DP×5 #14	1
6	MDP-170B2100	机针 DP×17 #21	NEEDLE DP×17 #21	1
7	137-86306	1号过线勾	THREAD GUIDE NO.1	1
8	SM-6030500-SN	螺钉 M3 L=5	SCREW M3 L=5	1
9	B1229-232-000	卡簧	SNAP RING	1
10	SD-0640216-TP	轴位螺钉	SHOULDER SCREW	1
11	SM-1040650-TP	螺钉	SCREW	1
12	400-05712	接地线	EARTH CODE ASM	1
13	141-43002	送料板	FEED PLATE	1
14	SM-3061052-TP	螺钉 M6 L=10	SCREW M6 L=10	1
15	WP-0621016-SD	垫圈 6.2×13×1	WASHER 6.2×13×1	1
16	400-06677	拔线连接杆	WIPER CONNECTING PLATE	1
17	B2101-280-0A0	拔线组件	WIPER ASM	1
18	D2101-L7A-MA0	拔线组件	WIPER ASM	1
19	141-03352	梭床盖B	INNER HOOK PRESSER ASM B	1
20	141-03659	梭床盖C	SHUTTLE RACE RING ASM C	1
21	400-06580	摆梭	SHUTTLE	1
22	400-06581	摆梭(厚料)	SHUTTLE(H)	1
23	400-06722	针板组件A	NEEDLE PLATE ASM A	1
24	400-06723	针板组件H	NEEDLE PLATE ASM H	1
25	B2417-280-000	剪线摇杆螺柱	THREAD CUTTER LEVER SHAFT	(1
26	B2426-280-000	小针板	NEEDLE HOLE GUIDE	(1
27	141-09607	小针板	NEEDLE HOLE GUIDE	(1
28	SS-1060210-TP	螺钉 3/32-56 L=2.2	SCREW 3/32-56 L=2.2	(2
29	400-06721	针板	NEEDLE PLATE	(1
30	B2424-280-000	固定刀片	FIXING KNIFE	(1
31	SS-7090410-SP	螺钉 9/64-40 L=3.5	SCREW 9/64-40 L=3.5	(2
32	B2418-280-000	动刀片连接杆	MOVING KNIFE LINK	(1
33	B2416-280-000	衬套	THREAD CUTTING LEVER RING	(1
34	B2415-280-0A0	剪线驱动小杆	THREAD CUTTER LEVER ASM SMALL	(1
35	B2414-280-0A0	剪线驱动大杆	THREAD CUTTER LEVER ASM LARG	(1
36	SS-6110430-TP	螺钉 11/64-40 L=4.0	SCREW 11/64-40 L=4.0	(1
37	WP-0450846-SP	垫圈	WASHER	(1
38	SS-7110740-TP	螺钉 11/64-40 L=7	SCREW 11/64-40 L=7	(1
39	B2423-280-00C	动刀垫圈C	MOVING KNIFE WASHER C	(1
40	B2423-280-00A	动刀垫圈A	MOVING KNIFE WASHER A	(1
41	B2423-280-00B	动刀垫圈B	MOVING KNIFE WASHER B	(1
42	B2423-280-00D	动刀垫圈D	MOVING KNIFE WASHER D	(1
43	B2423-280-00E	动刀垫圈E	MOVING KNIFE WASHER E	(1
44	B2421-280-0A0	动刀组件	MOVING KNIFE ASM	(1
45	SD-0500091-TP	铰链螺钉 D=5.0 H=0.9	HINGE SCREW D=5.0 H=0.9	(1
46	135-43764	压脚组件	CLOTH FEED BASE ASM	1
47	135-44465	压脚	CLOTH PRESSER FOOT ASM	(1
48	SS-2110930-SP	螺钉 11/64-40 L=8.7	SCREW 11/64-40 L=8.7	(4
49	135-44614	压脚挡盖	CLOTH FEED BASE COVER	(1
50	135-43715	压脚	CLOTH FEED BASE	(1
51	B2539-280-000	轴销	STUD	(1
52	CS-087101B-SH	挡圈 D=8.73 W=10	THRUST COLLAR ASM. D=8.73 W=10	(1
53	SS-8150322-TP	螺钉 15/64-28 L=8	SCREW 15/64-28 L=8	(2
54	135-43806	压脚调节曲柄	BALL HOLDER	(1
55	SS-7151210-SP	螺钉 15/64-28 L=12	SCREW 15/64-28 L=12	(1
56	B2549-280-000	钢珠	WORK CLAMP FOOT MOUNTING BASE	(7
57	B2548-280-000	钢珠座	BALL RETAINER	(1
58	SS-7110740-TP	螺钉 11/64-40 L=7	SCREW 11/64-40 L=7	(1
59	135-43905	弹簧拉勾	SPRING SUSPENSTON	(1
60	SS-6120940-SP	螺钉 3/16-28 L=9	SCREW 3/16-28 L=9	(2
61	135-44705	拉簧	SPRING	(1
62	B3413-552-000	拉簧螺钉	SUSPENSTON SCREW	(1
63	135-44051	提升杆	LIFTING LEVER ASM	(1
64	SS-8150822-TP	螺钉 15/64-28 L=8	SCREW 15/64-28 L=8	(2
65	B1816-280-000	销	GUIDE PIN	(2

19. EXCLUSIVE PARTS FOR 1902AS, 1902AH(2) TABLE STAND COMPONENTS
 1902AS, 1902AH专用部件



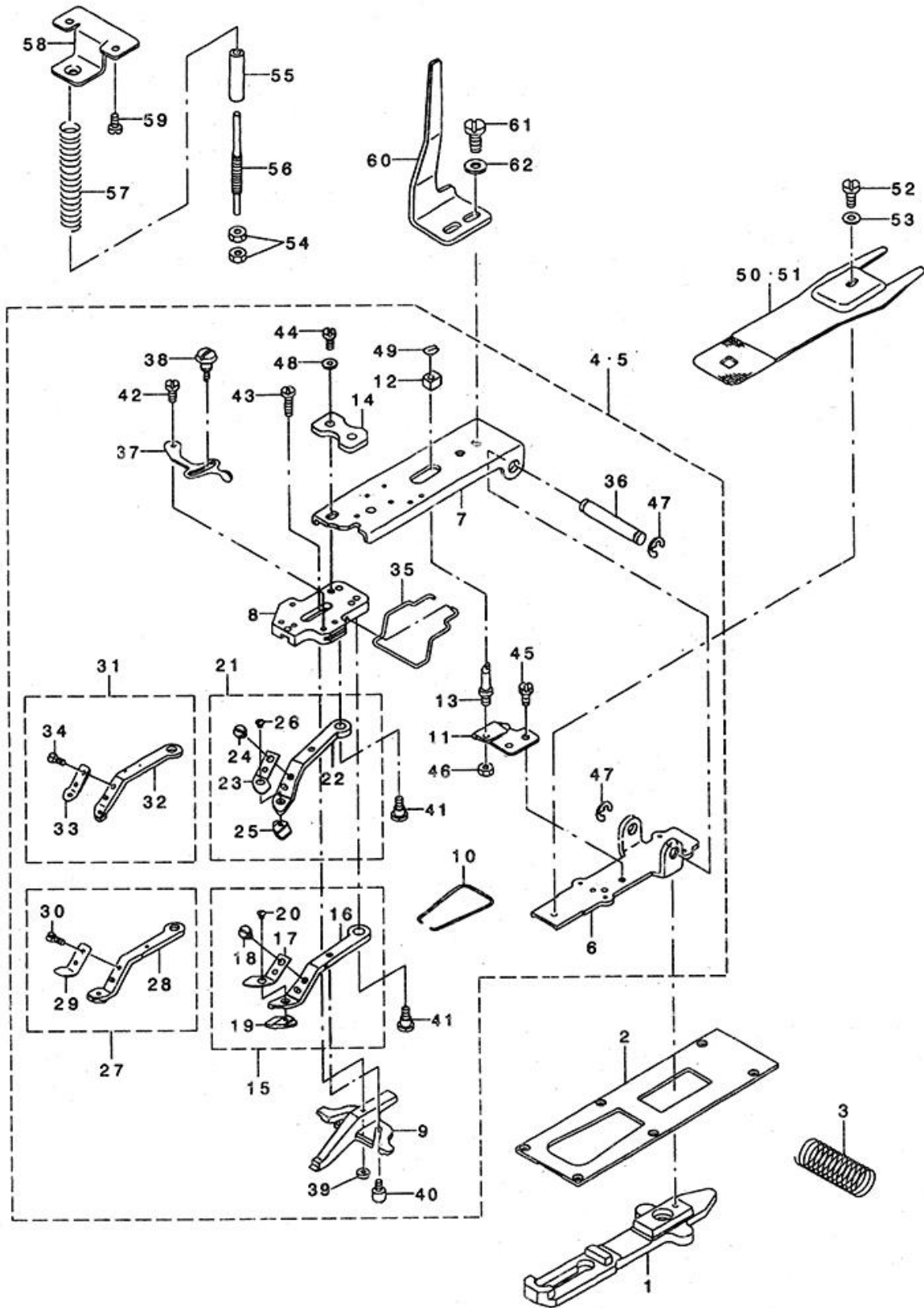
序号	图号	名称	DESCRIPTION	数量
1	135-08056	机架	T-STAND COMPL	1
2	111-57559	机架组件	T-STAND ASM	(1
3	111-57658	右支架连接板	STAND UPPER RIGHT	(1
4	111-57757	左支架连接板	STAND UPPER LEFT	(1
5	111-57955	右边架	STUD ASM RIGHT	(1
6	111-58052	左边架	STRUT JUNCTION(LEFT)	(1
7	111-58300	横挡	STAND SIDE SUPPORT	(1
8	111-58409	踏板横挡	STAND SIDE SUPPORT	(1
9	111-58607	边架座套	RUBBER CAP	(4
10	170-07420	螺母板	NUT	(2
11	WP-1302501-SE	垫圈 M12	WASHER M12	(4
12	WS-1253010-KN	弹性垫圈 12.5×21.5×3	SPRING WASHER 12.5×21.5×3	(4
13	B8108-555-0A0	螺钉	ADJUSTING SCREW ASM.WITH CAP	(4
14	NM-6120003-SE	螺母 M12	NUT M12	(4
15	111-58508	定位板	PLATE	(2
16	SL-9082091-SE	螺钉销	WASHER HEXAGONAL BOLT	(12
17	138-17754	踏板组件	Z-STAND PEDAL ASM	(1
18	GPF-060600A0	踏板组件	PEDAL ASM	(1
19	GPF-06080000	连杆连接板	PEDAL ADJUSTING PLATE	(1
20	111-59001	踏板支架	PEDAL SHAFT BRACKET	(2
21	B8153-771-000	踏板轴	PEDAL CONNECTING ROD	(1
22	D8113-555-B00	定位挡片	PEDAL BUSHING	(2
23	SM-9061203-SE	螺钉 M6 L=12	SCREW M6 L=12	(2
24	WP-0671016-SE	垫圈 6.7×13×1	WASHER 6.7×13×1	(2
25	WS-0621210-KP	弹性垫圈 6.2×11.4×1.2	SPRING WASHER 6.2×11.4×1.2	(2
26	SM-9082023-SE	螺钉 M8 L=20	SCREW M8 L=20	(2
27	WP-0871602-SE	垫圈 8.7×18×1.6	WASHER 8.7×18×1.6	(4
28	WS-0861410-KR	弹簧垫圈 8.6×15×1.4	SPRING WASHER 8.6×15×1.4	(2
29	NM-6080721-SE	螺母 M8	NUT M8	(2
30	400-05709	电缆线	RELAY CODE ASM	1
31	400-05739	INT PCB电缆线	INT PCB CODE ASM	(1
32	400-05740	AC电缆线	AC CODE ASM	(1
33	400-05711	伺服马达P电缆线	SERVO MOTOR P CODE ASM	(1
34	400-05710	伺服马达S电缆线	SERVO MOTOR S CODE ASM	(1
35	400-05735	X马达线组件	X MOTOR CODE ASM	(1
36	400-05736	Y马达线组件	Y MOTOR CODE ASM	(1
37	400-05737	P马达线组件	P MOTOR CODE ASM	(1
38	400-05738	T马达线组件	T MOTOR CODE ASM	(1
39	M9640-510-00A	电缆夹	CABLE CLIP	(3
40	SK-3382001-SE	螺钉 D=3.8 L=20	SCREW D=3.8 L=20	(6
41	400-06887	台板B	TABLE B	1

20. EXCLUSIVE PARTS FOR 1903AS-301, 1903AS-302 (1)
 1903AS-30, 1903AS-302 专用部件



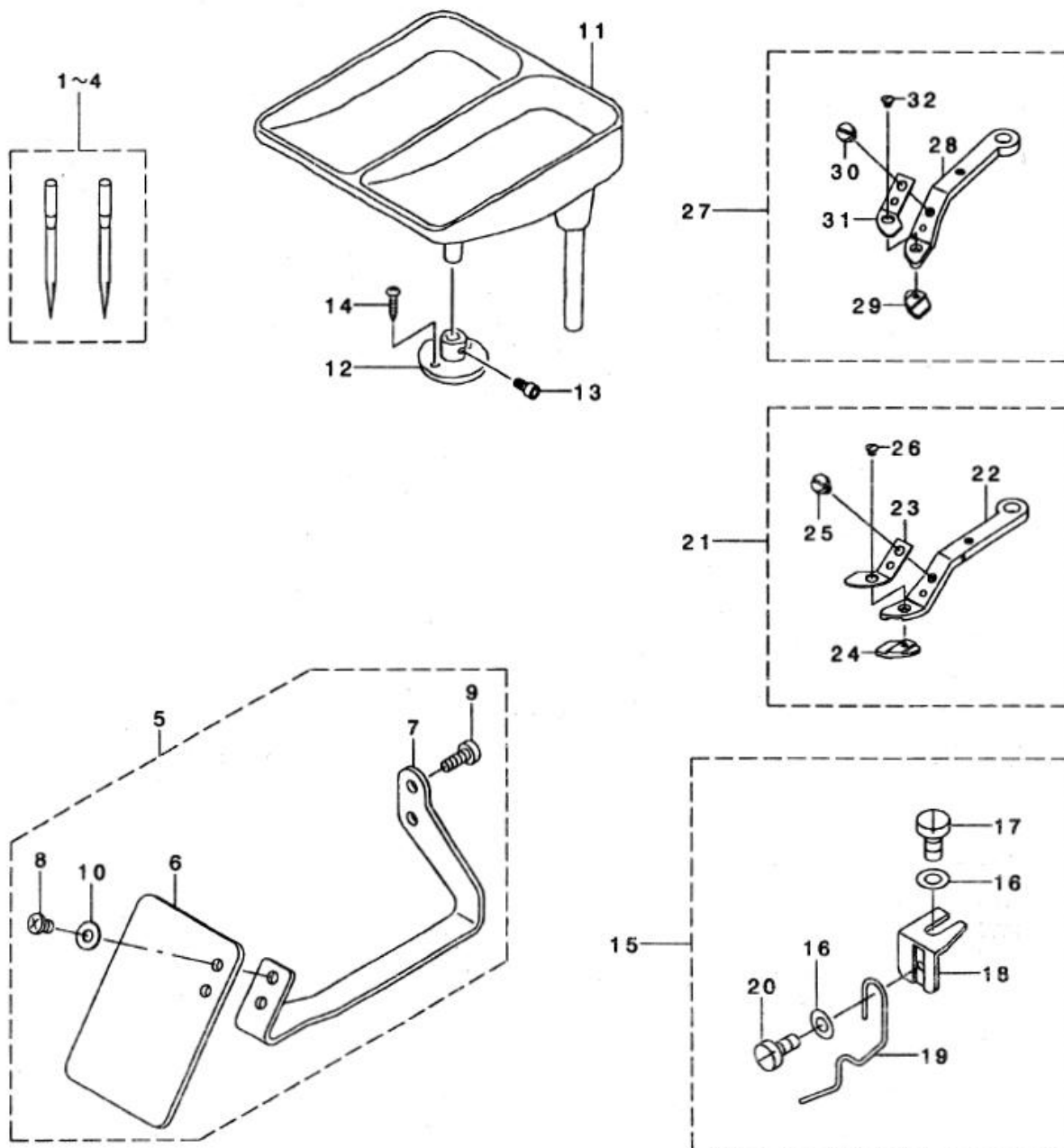
序号	图号	名称	DESCRIPTION	数量
1	400-06923	挑线组件	THREAD TAKE UP B COMPL	1
2	400-06924	挑线杆组件	THREAD TAKE UP LEVER B ASM	(1)
3	400-06925	挑线杆	THREAD TAKE UP LEVER B	(1)
4	B1908-505-000	过线衬套	THREAD PASS BUSH	(1)
5	SB-1080022-00	轴承	BEARING	(2)
6	SB-1040016-00	轴承	BEARING	(1)
7	400-06534	针杆连杆组件	NEEDLE BAR CRANK ROD ASM	(1)
8	400-06535	针杆连杆	NEEDLE BAR CRANK ROD	(1)
9	SB-1080023-00	轴承	BEARING	(1)
10	Z28-91006	针杆连杆衬套	NEEDLE BAR CRANK ROD BUSH	(1)
11	400-06532	挑线连杆	THREAD TAKE UP CRANK	(1)
12	400-06926	针杆曲柄B	NEEDLE ROD CRANK B	(1)
13	B1903-552-000	螺钉	LEFT SCREW	(1)
14	400-06525	针杆过线器	NEEDLE BAR THREAD GUIDE	1
15	MDP-170B1400	机针 DOX17 #14	NEEDLE DOX17 #14	1
16	SM-6061802-TP	螺钉 M6 L=18	SCREW M6 L=18	1
17	400-11949	曲柄B	CONNECTING ARM B	1
18	B2619-372-000	滚筒	STOP MOTION TRIPPING LEVER CAM	1
19	B1853-512-00E	垫圈	HOOK SHAFT WASHER	1
20	SD-0791271-SP	铰链螺钉 D=7.94 H=12.7	HINGE SCREW D=7.94 H=12.7	1
21	400-06937	拨线连杆 B	WIPER CONNECTING PLATE B	1
22	400-33047	拨线组件	WIPER ASM	1
23	SS-5060310-SP	螺钉 3/32-56 L=2.8	SCREW 3/32-56 L=2.8	2
24	400-09860	弹簧	WIPER THREAD CATCH SPRING	1
25	141-03332	梭床盖 B	INNER HOOK PRESSER ASM B	1
26	400-06580	旋梭驱动器	SHUTTLE	1
27	400-06525	针板组件	NEEDLE PLATE ASM M	1
28	400-06726	针板组件	NEEDLE PLATE ASM K	1
29	400-06721	针板	NEEDLE PLATE	(1)
30	MAZ-15801000	导向板	GUIDE	(1)
31	MAZ-15801000	导向板	GUIDE	(1)
32	B2424-280-000	定刀	FIXING KUIFE	(1)
33	B2421-280-0A0	动刀组件	MOVING KNIFE ASM	(1)
34	B2418-280-000	动刀杆	MOVING KNIFE LINK	(1)
35	B2416-280-000	动刀杆衬套	THREAD CUTTING LEVER RING	(1)
36	B2415-280-0A0	动刀杆轴 小的	THREAD CUTTER LEVER ASM SMALL	(1)
37	B2414-280-0A0	动刀杆轴 大的	THREAD CUTTER LEVER ASM LARG	(1)
38	B2417-280-000	动刀杆轴	THREAD CUTTER LEVER SHAFT	(1)
39	SS-1060210-TP	螺钉 3/32-56 L=2.2	SCREW 3/32-56 L=2.2	(2)
40	SD-0500091-TP	铰链螺钉 D=5.0 H=0.9	HINGE SCREW D=5.0 H=0.9	(1)
41	SS-7110740-TP	螺钉 11/64-40 L=7.0	SCREW 11/64-40 L=7	(1)
42	SS-6110430-TP	螺钉 11/64-40 L=4.0	SCREW 11/64-40 L=4.0	(1)
43	SS-7090410-SR	螺钉 9/64-40 L=3.5	SCREW 9/64-40 L=3.5	(2)
44	B2423-280-00A	动刀垫片 A	MOVING KNIFE WASHER A	(1)
45	B2423-280-00B	动刀垫片 B	MOVING KNIFE WASHER B	(1)
46	B2423-280-00C	动刀垫片 C	MOVING KNIFE WASHER C	(1)
47	B2423-280-00D	动刀垫片 D	MOVING KNIFE WASHER D	(1)
48	B2423-280-00E	动刀垫片 E	MOVING KNIFE WASHER E	(1)
49	WP-0450846-SP	垫片	WASHER	(1)
50	SM-6030500-SN	螺钉 M3 L=5	SCREW M3 L=5	1
51	RC-0470611-KP	卡簧 4.7	RETAINING RING 4.7	1
52	SD-0640216-TP	轴位螺钉	SHOULDER SCREW	1
53	SM-1040650-TP	螺钉	SCREW	4
54	400-10429	针杆曲柄 B	COUNTER WEIGHT B	1

21. EXCLUSIVE PARTS FOR 1903AS-301, 1903AS-302(1)
 1903AS-301, 1903AS-302专用部件



序号	图号	名称	DESCRIPTION	数量
1	141-45106	送料板	CLOTH FEED PLATE	1
2	400-06935	送料压板	CLOTH FEED PRESSER PLATE B	1
3	141-48407	弹簧	VERTICAL FEED SHAFT SPRING	1
4	141-45858	压脚组件	VERY SMALL CLAMP MECHANISM ASM	1
5	141-45650	压脚组件	MEDIUM CLAMP MECHANISM ASM	1
6	141-46104	爪脚提升板	PICK-UP INSTALLING BASE	(1)
7	141-46203	爪脚提升板	PICK-UP FOOT INSTALLING BASE	(1)
8	141-46302	安装板	PICK-UP FOOT INSTALLING BASE	(1)
9	B2552-372-000	定位板	BUTTON CLAMP SLIDE	(1)
10	MAZ-15513000	弹簧	BUTTON CLAMP JAW LEVER SPRING	(1)
11	MAZ-15514000	支撑板	SUPPORT PLATE	(1)
12	MAZ-15515000	滑块	SLIDE BLOCK	(1)
13	135-40901	螺栓	STATIONING BLOCK SHAFT\	(1)
14	141-46401	压板	PRESSER PLATE	(1)
15	141-49058	右爪脚组件	MIDDLE CLAMP JAW LEVER ASM R	(1)
16	MAZ-15507000	右爪脚臂	SMALL CLAMP JAW LEVER ASM L	(1)
17	MAZ-15509000	弹簧	SPRING RIGHT	(1)
18	SS-7090410-SP	螺钉 9/64-40 L=3.5	SCREW 9/64-40 L=3.5	(1)
19	141-49009	压料板	PLATE L R	(1)
20	SS-2060310-SP	螺钉 3/32-56 L=3	SCREW 3/32-56 L=3	(1)
21	141-49157	左爪脚组件	MIDDLE CLAMP JAW LEVER ASM L	(1)
22	MAZ-15508000	左爪脚臂	SMALL CLAMP JAW LEVER L	(1)
23	MAZ-15510000	弹簧	SPRING LEFT	(1)
24	SS-7090410-SP	螺钉 9/64-40 L=3.5	SCREW 9/64-40 L=3.5	(1)
25	141-49108	压料板	PLATE L L	(1)
26	SS-2060310-SP	螺钉 3/32-56 L=3	SCREW 3/32-56 L=3	(1)
27	MAZ-158070BB	压脚组件	EXTRA SMALL CLAMP LEVER ASM L	(1)
28	MAZ-158070AB	右爪脚臂	EXTRA SMALL CLAMP LEVER ASM L	(1)
29	MAZ-15809000	弹簧	SPRING RIGHT	(1)
30	SS-7090410-SP	螺钉 9/64-40 L=3.5	SCREW 9/64-40 L=3.5	(1)
31	MAZ-158080BB	左爪脚组件	EXTRA SMALL CLAMP LEVER ASM L	(1)
32	MAZ-158080AB	左爪脚臂	EXTRA SMALL CLAMP LEVER ASM L	(1)
33	MAZ-15810000	弹簧	SPRING LEFT	(1)
34	SS-7090410-SP	螺钉 9/64-40 L=3.5	SCREW 9/64-40 L=3.5	(1)
35	D3130-M1Y-C00	护指器	FINGER GUARD	(1)
36	141-41402	压脚轴	INSTALLING SHAFT	(1)
37	B2548-372-000	调节板手	SNAP FASTENER CLAMP STOP LEVER	(1)
38	B2549-372-000	螺钉	CLAMP SCREW A	(1)
39	B2553-372-000	螺母	NUT	(1)
40	B2560-372-000	螺栓	BUTTON CLAMP STOP PIN	(2)
41	SD-0640391-TP	铰链螺钉 D=6.35 H=3.9	HINGE SCREW D=6.35 H=3.9	(2)
42	SD-0550181-SP	铰链螺钉 D=5.50 H=1.8	HINGE SCREW D=5.50 H=1.8	(1)
43	SD-0550301-SP	铰链螺钉 D=5.5 H=3	HINGE SCREW D=5.5 H=3	(1)
44	SS-9621413-SP	螺钉 3/16-32 L=13.5	SCREW 3/16-32 L=13.5	(2)
45	SS-9110460-CP	螺钉 11/64-40 L=4	SCREW 11/64-40 L=4	(2)
46	NS-6150310-SP	螺母 15/64-28	NUT 15/64-28	(1)
47	RE-0700000-K0	卡簧 7	E-RING 7	(2)
48	WP-0501016-SD	垫片 5×10.5×1	WASHER 5×10.5×1	(2)
49	D2548-232-D00	卡簧	SNAP RING FOR CONNECTING ROD	(1)
50	MAZ-15502000	压力盘	PRESSURE PLATE	1
51	MAZ-15602000	压力盘	PRESSURE PLATE	1
52	SS-9110543-CP	螺钉 11/64-40 L=5.3	SCREW 11/64-40 L=5.3	1
53	WP-0501016-SD	垫圈 5×10.5×1	WASHER 5×10.5×1	1
54	B3125-012-000	压线螺母	THREAD TENSION NUT	2
55	D2527-232-D00	套筒	SLEEVE	11
56	141-46906	调节杆	ADJUSTING SHAFT	1
57	138-12003	压簧	PRESSURE SPRING	1
58	138-11906	安装板	ACCEPT PLATE UPPER	1
59	SM-5040855-SN	螺钉	SCREW	2
60	MAZ-15516000	移动盘	MOVING PLATE	1
61	SS-9151120-CP	螺钉 15/64-28 L=11	SCREW 15/64-28 L=11	2
62	WP-0612516-SD	垫片 6.1×15.2×2.5	WASHER 6.1×15.2×2.5	2

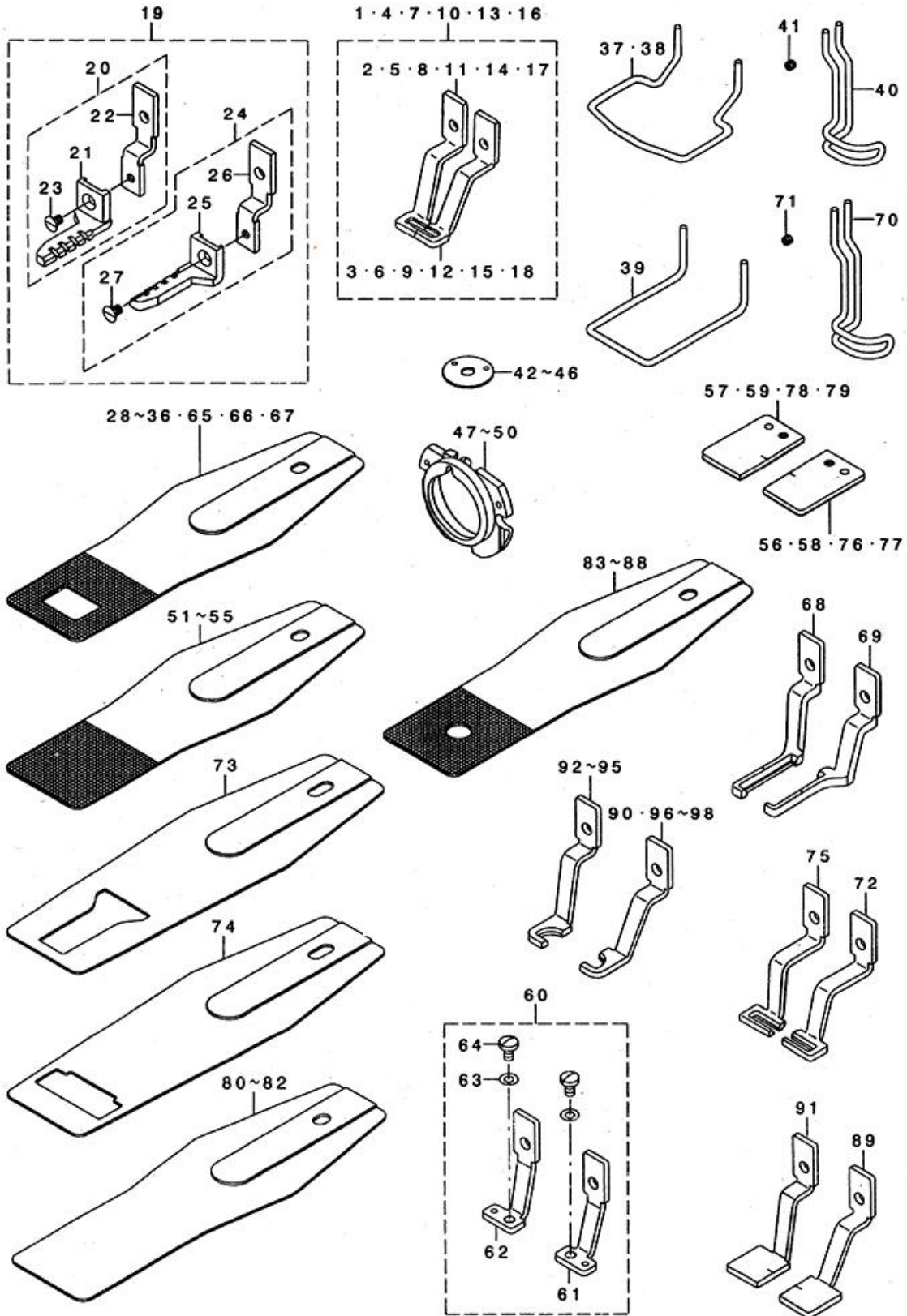
22.ACCESSORIES PARTS FOR 1900A SUBCLASSES
 1900A附件部分



序号	图号	名称	DESCRIPTION	数量
1	MDP-500B1402	机针 DPX5 #14-2	NEEDLE DPX5 #14-2	1
2	MDP-500B1602	机针 DPX5 #16-2	NEEDLE DPX5 #16-2	1
3	MDP-170B2102	机针 DPX17 #21-2	NEEDLE DPX17 #21-2	1
4	MDP-170B1402	机针 DPX17 #14-2	NEEDLE DPX17#14-2	1
5	400-06485	安全板组件 B	SAFETY PLATE ASM B	1
6	138-89407	安全板	SAFETY PLATE	(1
7	400-52810	安全板安装座	SAFETY PLATE INSTALLING BASE	(1
8	SM-4040655-SP	螺钉 M4 L=6	SCREW M4 L=6	(2
9	SM-6041150-TP	螺钉	SCREW	(2
10	WP-0450801-SD	垫片 4.5×10×0.8	WASHER 4.5×10×0.8	(2
11	178-48458	扭扣盘	BUTTON TRAY ASM	1
12	400-33635	扭扣盘座	BUTTON TRAY BASE	1
13	SM-6061202-TP	螺钉 M6 L=12	SCREW M6 L=12	1
14	SK-3412001-SE	木螺钉 D=4.1 L=20	WOOD SCREW D=4.1 L=20	2
15	141-46757	固定板组件	BUTTON RISING BAR ASM	1
16	WP-0370316-SD	垫片 3.7×8×0.3	WASHER 3.7×8×0.3	(2
17	SS-9090813-TP	螺钉 9/64-40 L=8	SCREW 9/64-40 L=8	(1
18	141-46807	安装座	INSTALLING BASE	(1
19	141-46708	弹簧	BUTTON RISING BAR	(1
20	SS-6080340-SP	螺钉 1/8-44 L=2.9	SCREW 1/8-44 L=2.9	(1
21	141-48852	扭扣固定夹	SMALL CLAMP JAW LEVER ASM R	1
22	MAZ-15507000	扭扣固定夹	SMALL CLAMP JAW LEVER ASM L	(1
23	MAZ-15509000	弹簧	SPRING RIGSH	(1
24	141-48803	压料板	PLATE K R	(1
25	SS-7090410-SP	螺钉 9/64-40 L=3.5	SCREW 9/64-40 L=3.5	(1
26	SS-2060310-SP	螺钉 3/32-56 L=3	SCREW 3/32-56 L=3	(1
27	141-48951	扭扣固定夹	SMALL CLAMP JAW LEVER ASM L	1
28	MAZ-15508000	扭扣固定夹	SMALL CLAMP JAW LEVER L	(1
29	141-48902	压料板	PLATE K L	(1
30	SS-7090410-SP	螺钉 9/64-40 L=3.5	SCREW 9/64-40 L=3.5	(1
31	MAZ-15510C00	弹簧	SPRING LEFT	(1
32	SS-2060310-SP	螺钉 3/32-56 L=3	SCREW 3/32-56 L=3	(1

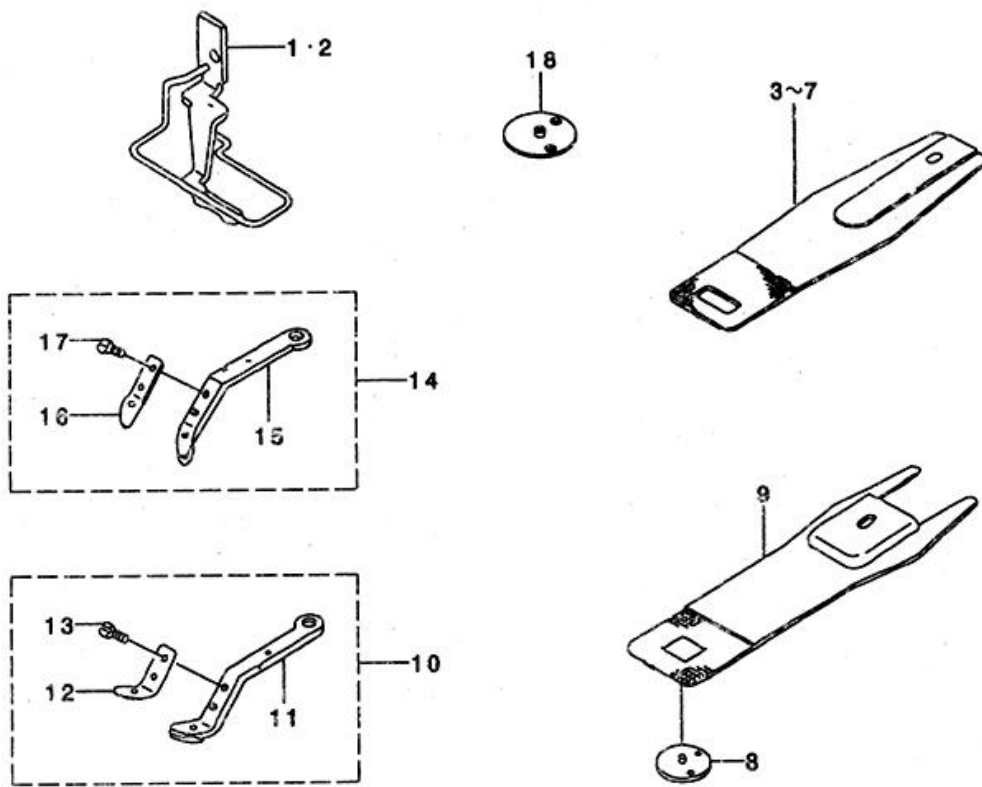
23.OPTION COMPONENTS(1)

选购部件



序号	图号	名称	DESCRIPTION	数量
1	135-18659	压脚组件	WORK CLAMP FOOT ASM	1
2	135-18600	右压脚组件	WORK CLAMP FOOT RIGHT	(1)
3	135-18709	左压脚组件	WORK CLAMP FOOT LEFT	(1)
4	135-48557	压脚组件	WORK CLAMP FOOT ASM	1
5	135-48508	右压脚	WORK CLAMP FOOT RIGHT	(1)
6	135-48607	左压脚	WORK CLAMP FOOT LEFT	(1)
7	135-48151	左压脚	CLOTH PRESSER FOOT LEFT	1
8	135-48102	左压脚	WORK CLAMP FOOT LEFT	(1)
9	135-48201	左压脚	WORK CLAMP FOOT LEFT	(1)
10	135-42451	压脚组件	WORK CLAMP FOOT ASM	1
11	135-42402	右压脚	WORK CLAMP FOOT RIGHT	(1)
12	135-42501	左压脚	WORK CLAMP FOOT LEFT	(1)
13	135-42964	压脚组件	PRESSER ASM	1
14	135-42915	右压脚	WORK CLAMP FOOT RIGHT	(1)
15	135-43012	左压脚	WORK CLAMP FOOT LEFT	(1)
16	135-71958	压脚组件	WORK CLAMP FOOT ASM	1
17	135-71906	右压脚	CLOTH PRESSER FOOT (RIGHT)	(1)
18	135-72003	左压脚	CLOTH PRESSER FOOT (LEFT)	(1)
19	135-61360	压脚组件	WORK CLAMP FOOT ASM	1
20	135-61352	右压脚组件	WORK CLAMP FOOT ASM RIGHT	(1)
21	135-61303	右压脚组件	CLOTH PRESSER FOOT (RIGHT)	(1)
22	135-62509	右压脚滑板	PRESSER FOOT SLIDING PLATE (R)	(1)
23	SS-1110640-TP	螺钉 11/64-40 L=5.5	SCREW 11/64-40 L=5.5	(1)
24	135-61451	左压脚组件	WORK CLAMP FOOT ASM LEFT	(1)
25	135-61402	左压脚	CLOTH PRESSER FOOT (LEFT)	(1)
26	135-62608	左压脚组件	PRESSER FOOT SLIDING PLATE (L)	(1)
27	SS-1110640-TP	螺钉 11/64 L=5.5	SCREW 11/64 L=5.5	(1)
28	141-16107	送料板 A	FEED PLATE A	1
29	141-16404	送料板 D	FEED PLATE D	1
30	141-16305	送料板 C	FEED PLATE C	1
31	135-48003	送料板	FEED PLATE	1
32	135-64506	送料板	FEED PLATE	1
33	141-16602	送料板 F	FEED PLATE F	1
34	141-16206	送料板 B	FEED PLATE B	1
35	141-16502	送料板 E	FEED PLATE E	1
36	141-16701	送料板 G	FEED PLATE G	1
37	135-33104	护指器	FINGER GUARDE	1
38	135-48300	护指器	FINGER GUARDE	1
39	135-73407	护指器	FINGER GUARDE	1
40	141-20090	护指器	FINGER GUARDE	1
41	SM-8040302-TP	固定螺钉	SETSCREW	1
42	B2426-280-000	针孔导向板	NEEDLE HOLE GUIDE	1
43	B2426-280-00B	针孔导向板 B	NEEDLE HOLE GUIDE B	1
44	141-09607	针孔导向板	NEEDLE HOLE GUIDE	1
45	D2426-282-C00	针孔导向板	NEEDLE HOLE GUIDE	1
46	D2426-MMC-K00	针孔导向板	NEEDLE HOLE GUIDE	1
47	141-03253	旋梭盖板 A	INNER HOOK PRESSER ASM A	1
48	141-03352	旋梭盖板 B	INNER HOOK PRESSER ASM B	1
49	141-03659	旋梭盖板 C	SHUTTLE RACE RING ASM C	1
50	B1817-210-DAD	旋梭盖板 D	SHUTTLE RACE RING ASM D	1
51	141-20109	送料板 A	FEED PLATE BLANK A	1
52	141-20208	送料板 B	FEED PLATE BLANK B	1
53	141-20505	送料板 C	FEED PLATE BLANK C	1
54	141-20307	送料板 D	FEED PLATE BLANK D	1
55	141-20406	送料板 E	FEED PLATE BLANK E	1
56	141-21701	右压板	CLOTH PRESSER BLANK R (SURFACE)	1
57	141-21800	左压板	CLOTH PRESSER BLANK L (SURFACE)	1
58	141-21909	右压板	CLOTH PRESSEER BLANK RIGHT	1
59	141-22006	左压板	CLOTH PRESSER BLANK LEFT	1
60	141-21263	压脚组件	WORK CLAMP FOOT ASM	1
61	141-21255	右压脚组件	WORK CLAMP FOOT ASM RIGHT	(1)
62	141-21354	左压脚组件	WORK CLAMP FOOT ASM LEFT	(1)
63	WS-0451040-KP	弹簧垫片 4.5×3.5×1	SPRING WASHER 4.5×3.5×1	(2)
64	SS-7110710-SP	螺钉 11/64-40 L=7	SCREW 11/64-40 L=7	(2)
65	141-16800	送料板 H	FEED PLATE H	1
66	141-16909	送料板 I	FEED PLATE I	1
67	135-54803	送料板	FEED PLATE	1
68	141-37608	左送料板	WORK CLAMP FOOT LEFT	1
69	141-37509	右送料板	WORK CLAMP FOOT A RIGHT	1
70	141-35305	护指器	FINGER GUARDE	1
71	SM-8040302-TP	安装螺钉	SETSCREW	1
72	141-37806	右压脚	CLOTH PRESSER FOOT B RIGHT	1
73	141-37707	压料盘A	CLOTH PRESSER LOWER PLATE A	1
74	141-38002	压料盘B	CLOTH PRESSER LOWER PLATE B	1
75	141-37905	左压脚	CLOTH PRESSER FOOT B LEFT	1
76	400-21851	右压板	WORK CLAMP BLANK RIGHT (PLATING)	1
77	400-21853	右压板	WORK CLAMP BLANK RIGHT (NO PLATING)	1
78	400-21852	左压板	WORK CLAMP BLANK LEFT (PLATING)	1
79	400-21854	左压板	WORK CLAMP BLANK LEFT (NO PLATING)	1
80	400-21855	送料板 A	FEED PLATE A (NO GIZA/PLATING)	1
81	400-21856	送料板 B	FEED PLATE B (NO GIZA NO PLATING)	1
82	400-21857	送料板 C	FEED PLATE C (NO GIZA/SUS)	1
83	400-21858	送料板 D	FEED PLATE D (GIZA/PLATING)	1
84	400-21859	送料板 E	FEED PLATE E (GIZA/NO PLATING)	1
85	400-21873	送料板 D9-14	FEED PLATE D9-14	1
86	400-21876	送料板 12	FEED PLATE 12	1
87	400-21879	送料板 10	FEED PLATE 10	1
88	400-21882	送料板 14	FEED PLATE 14	1
89	400-21870	左送料板压脚	WORK CLAMP FOOT BLANK LEFT	1
90	400-21872	左送料板压脚 D9-14	WORK CLAMP FOOT D9-14LEFT	1
91	400-21869	右送料板压脚	WORK CLAMP FOOT BLANK RIGHT	1
92	400-21871	右送料板压脚 D9-14	WORK CLAMP FOOT D9-14 RIGHT	1
93	400-21874	右送料板压脚	WORK CLAMP FOOT 12 RIGHT	1
94	400-21877	右送料板压脚	WORK CLAMP FOOT 10 RIGHT	1
95	400-21880	右送料板压脚	WORK CLAMP FOOT 14 RIGHT	1
96	400-21875	左送料板压脚	WORK CLAMP FOOT 12 LEFT	1
97	400-21878	左送料板压脚	WORK CLAMP FOOT 10 LEFT	1
98	400-21881	左送料板压脚	WORK CLAMP FOOT 14 LEFT	1

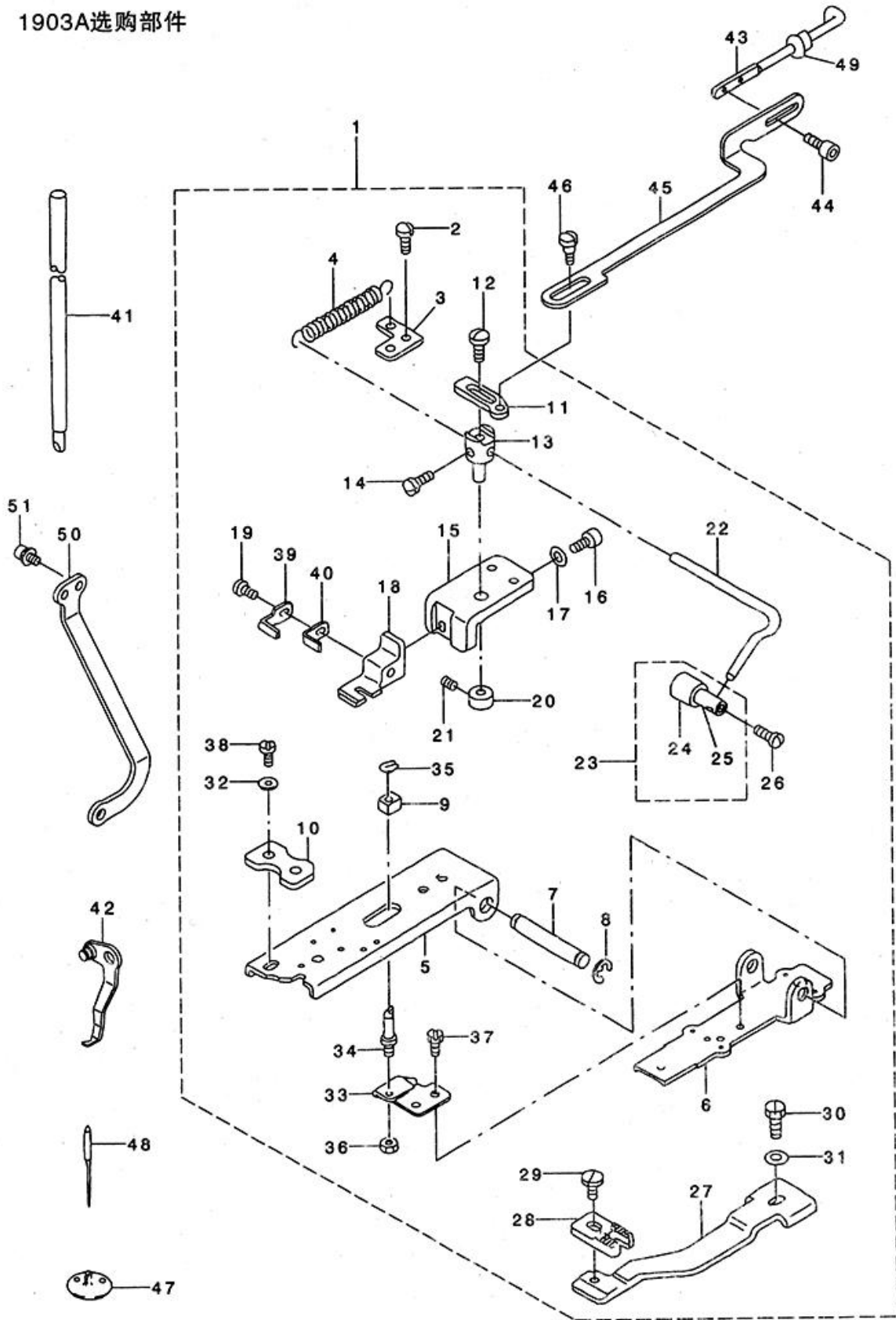
24.OPTION COMPONENTS(2) FOR 1902A,1903A
1902A,1903A选购部件 (2)



序号	图号	名称	DESCRIPTION	数量
1	135-45660	压脚组件	WORK CLAMP FOOT ASM	1
2	135-47161	压脚组件	WORK CLAMP FOOT ASM	1
3	135-45504	托布板	FEED PLATE	1
4	135-45801	托布板	FEED PLATE	1
5	135-47005	托布板	FEED PLATE	1
6	135-46700	托布板	CLOTH PRESSER PLATE	1
7	135-48706	托布板	CLOTH PRESSER LOWER PLATE	1
8	MAZ-15701000	小针板	GUIDE	1
9	MAZ-15702000	送料板	PRESSURE PLATE	1
10	MAZ-157070BB	右爪脚组件	LARGE CLAMP JAW LEVER ASM R	1
11	MAZ-157070AB	右爪脚臂	LARGE CLAMP JAW LEVER ASM R	(1
12	MAZ-15709000	压簧板	SPRING RIGHT	(1
13	SS-7090410-SP	螺钉 9/64-40 L=3.5	SCREW 9/64-40 L=3.5	(1
14	MAZ-157080BB	左爪脚组件	LARGE CLAMP JAW LEVER ASM L	1
15	MAZ-157080AB	左爪脚臂	LARGE CLAMP JAW LEVER ASM R	(1
16	MAZ-15710000	压料板	SPRING LEFT	(1
17	SS-7090410-SP	螺钉 9/64-40 L=3.5	DSCREW 9/64-40 L=3.5	(1
18	141-49603	小针板	GUIDE	1

25.1903A:OPTION COMPONENTS FOR SHANK BUTTON

1903A选购部件



序号	图号	名称	DESCRIPTION	数量
1	141-46054	压脚组件	PICK-UP DEVICE COMPL	1
2	SS-7110740-TP	螺钉 11/64-40 L=7	SCREW 11/64-40 L=7	(2)
3	MAZ-16012000	弹簧勾板	LEVER SPRING HOOK	(1)
4	MAZ-16013000	支撑板弹簧	BUTTON SUPPORT LEVER SPRING	(1)
5	141-46203	压脚提升板	PICK-UP FOOT INSTALLING BASE	(1)
6	141-46104	压脚提升板	PICK-UP INSTALLING BASE	(1)
7	141-41402	铰链轴	INSTALLING SHAFT	(1)
8	RE-0700000-KO	卡簧 7	E-RING 7	(2)
9	MAZ-15515000	滑块	SLIDE BLOCK	(1)
10	141-46401	压板	PRESSER PLATE	(1)
11	MAZ-16014000	钮扣连接块	BUTTON SUPPORT RELEASE LEVER	(1)
12	SS-7110740-TP	螺钉 11/64-40 L=7	SCREW 11/64-40 L=7	(1)
13	MAZ-16011000	固定销	BUTTON SUPPORT LEVER SHAFT	(1)
14	SS-7110740-TP	螺钉 11/64-40 L=7	SCREW 11/64-40 L=7	(1)
15	MAZ-16004000	安装板	BUTTON CLAMP BASE	(1)
16	SS-6111052-TP	螺钉	SCREW	(1)
17	WP-0482086-SD	垫片 4.8×11.5×2	WASHER 4.8×11.5×2	(1)
18	MAZ-16005000	连接块	BUTTON CLAMP BASE	(1)
19	SS-7090510-SP	螺钉 9/64-40 L=4.6	SCREW 9/64-40 L=4.6	(1)
20	CS-0640811-SP	挡圈 D=6.35 W=8	THRUST COLLAR D=6.35 W=8	(1)
21	SS-8110410-TP	螺钉 11/64-40 L=3.5	SCREW 11/64-40 L=3.5	(1)
22	MAZ-16010000	弹簧	BUTTON SUPPORT LEVER	(1)
23	MAZ-160090A0	调节组件	BUTTON SUPPORT RUBBER ASM	(1)
24	MAZ-16009000	轴套	BUTTON SUPPORT RUBBER	(1)
25	B2406-372-000	轴	SHANK BUTTON HOLDING CLAMP	(1)
26	SS-7110740-TP	螺钉 11/64-40 L=7	SCREW 11/64-40 L=7	(1)
27	MAZ-16002000	送料盘	FEED PLATE	(1)
28	MAZ-1600300A	送料盘 A	FEED PLATE A	(1)
29	SS-6110480-SP	螺钉 11/64-40 L=4.3	SCREW 11/64-40 L=4.3	(1)
30	SS-9111010-SP	螺钉 11/64-40 L=9.5	SCREW 11/64-40 L=9.5	(1)
31	WP-0482086-SD	垫片 4.8×11.5×2	WASHER 4.8×11.5×2	(1)
32	WP-0501016-SD	垫片 5×10.5×1	WASHER 5×10.5×1	(2)
33	MAZ-15514000	支撑板	SUPPORT PLATE	(1)
34	135-40901	螺钉	STATIONING BLOCK SHAFT	(1)
35	D2548-232-D00	连杆卡簧	SNAP RING, FOR CONNECTING ROD	(1)
36	NS-6150310-SP	螺母 15/64-28	NUT 15/64-28	(1)
37	SS-9110460-CP	螺钉 11/64-40 L=4.3	SCREW 11/64-40 L=4.3	(2)
38	SS-9621413-SP	螺钉 3/16-32 L=13.5	SCREW 3/16-32 L=13.5	(2)
39	MAZ-16022000	连接块	BUTTON CLAMP SUPPORT FRONT	(1)
40	MAZ-16023000	调节小压板	BUTTON CLAMP SUPPORT REAR	(1)
41	D1401-M1Y-COA	针杆	NEEDLE BAR	1
42	MAZ-160170A0	拔线组件	WIPER ASM	1
43	138-10908	调节棒A	MOVING PLATE LINK A	1
44	SS-6090612-TP	螺钉 9/64-40 L=6	SCREW 9/64-40 L=6	2
45	MAZ-16015000	调节长连杆	BUTTON SUPPORT LINK	1
46	SD-0640321-TP	铰链螺钉 D=6.35 H=3.2	HINGE SCREW D=6.35 H=3.2	1
47	MAZ-16021000	导向板	NEEDLE HOLE GUIDE	1
48	MTQ-300B1400	机针 TQX3 #14	NEEDLE TQX3 #14	1
49	141-48209	衬套	BUSHING	1
50	400-10103	调节杆	CONNECTING LINK	1
51	SL-6040892-TN	铰链螺钉	BOLT	2

NUMERICAL INDEX OF PARTS

索引

PART NO 品番	PAGE 頁	REF NO	PART NO 品番	PAGE 頁	REF NO	PART NO 品番	PAGE 頁	REF NO	PART NO 品番	PAGE 頁	REF NO
A1230-500-00A	4	63	B2423-280-00E	30	28	D2548-232-D00	48	35	MAZ-158070BB	40	27
BME-03200000	24	10	B2423-280-00E	34	43	D3130-M1Y-C00	40	35	MAZ-158080AB	40	32
B1111-210-D00	28	42	B2423-280-00E	38	48	D7133-555-B00	2	26	MAZ-158080BB	40	31
B1111-232-000	2	33	B2424-280-000	12	27	D8113-555-B00	20	17	MAZ-15809000	40	29
B1114-581-000	34	1	B2424-280-000	30	15	D8113-555-B00	36	22	MAZ-15810000	40	33
B1115-210-D00	28	43	B2424-280-000	34	30	D8204-555-D00	20	33	MAZ-16002000	48	27
B1129-210-000	2	41	B2424-280-000	38	32	EA-9500B01-00	8	14	MAZ-1600300A	48	28
B1144-210-000	4	60	B2426-280-00B	44	43	EA-9500B01-00	17	14	MAZ-16004000	48	15
B1212-210-D00	4	59	B2426-280-000	12	22	EA-9500B01-00	17	22	MAZ-16005000	48	18
B1229-232-000	30	43	B2426-280-000	30	12	EA-9500B01-00	24	8	MAZ-160090A0	48	23
B1229-232-000	34	9	B2426-280-000	34	26	EA-9500B01-00	17	23	MAZ-16009000	48	24
B1411-552-000	4	70	B2426-280-000	44	42	EA-9500B2-00	22	53	MAZ-16010000	48	22
B1414-232-00A	14	46	B2509-704-000	14	18	E9567-319-000	22	52	MAZ-16011000	48	13
B1414-232-00B	14	47	B2539-280-000	34	51	E9607-603-000	22	52	MAZ-16012000	48	3
B1414-232-000	14	15	B2548-280-000	14	43	GAF-01007000	4	64	MAZ-16013000	48	4
B1414-555-000	4	72	B2548-280-000	34	57	GCT-02906000	28	28	MAZ-16014000	48	11
B1657-506-E00	30	47	B2548-280-000	40	37	GPF-060600A0	20	19	MAZ-16015000	48	45
B1806-210-D00	8	70	B2549-280-000	14	42	GPF-060600A0	36	18	MAZ-160170A0	48	42
B1815-210-000	8	43	B2549-280-000	34	56	GPF-06080000	20	18	MAZ-16021000	48	47
B1816-280-000	34	65	B2549-280-000	40	38	GPF-06080000	36	19	MAZ-16022000	48	39
B1817-210-DAD	44	50	B2552-372-000	40	9	GPF-06080000	24	32	MAZ-16023000	48	40
B1820-210-D00	8	20	B2553-372-000	40	39	GPX-570010B0	26	42	MDP-170B1400	38	15
B1821-210-D00	8	21	B2557-280-00A	14	45	GPX-570010B0	24	26	MDP-170B1402	42	4
B1822-215-P00	8	22	B2560-372-000	40	40	HA-0042500-00	24	26	MDP-170B2100	4	79
B1828-210-DAA	8	69	B2619-372-000	38	18	HA-0042500-00	26	40	MDP-170B2100	34	6
B1828-980-0BB	8	53	B2707-761-000	2	21	HD-0005700-0A	6	18	MDP-170B2102	28	30
B1853-512-00E	38	19	B3027-450-00B	30	49	HD-0005700-0A	14	33	MDP-170B2102	42	3
B1903-552-000	4	31	B3117-352-000	32	41	HD-0005700-0A	16	32	MDP-500B1100	4	77
B1903-552-000	38	13	B3120-372-000	28	5	HD-0005700-0A	12	14	MDP-500B1102	28	31
B1908-505-000	4	26	B3125-012-000	40	54	HD-0022300-00	14	27	MDP-500B1400	4	78
B1908-505-000	38	4	B3126-012-000	2	25	HD-0022300-00	24	13	MDP-500B1400	30	1
B2101-280-0A0	30	7	B3413-552-000	34	62	HF-0013031-5S	24	15	MDP-500B1400	34	5
B2101-280-0A0	34	17	B8101-210-AAB	20	6	HF-0013050-P0	24	14	MDP-500B1402	28	29
B2406-372-000	48	25	B8105-210-AAA	20	7	HF-0030002-00	24	14	MDP-500B1402	42	1
B2414-280-0A0	12	32	B8108-555-0A0	20	27	HK-0346100-4A	30	33	MDP-500B1602	42	2
B2414-280-0A0	30	20	B8108-555-0A0	36	13	HK-0346400-00	30	34	MTQ-300B1400	48	48
B2414-280-0A0	34	35	B8153-771-000	20	16	HX-0015000-0B	8	61	MTS-HJ100003	24	19
B2414-280-0A0	38	37	B8202-205-000	28	20	HX-0015000-0D	8	1	M3004-511-00A	24	12
B2415-280-0A0	12	31	B9113-012-000	28	25	HX-0015000-0K	17	24	M3801-476-000	22	6
B2415-280-0A0	30	19	B9121-012-000	28	19	HX-0018800-0D	22	49	M4001-461-000	22	40
B2415-280-0A0	34	34	B9121-220-0A0	28	18	HX-0033900-00	17	26	M4002-461-000	22	41
B2415-280-0A0	38	36	B9140-372-000	28	26	HX-0033900-00	22	21	M4004-461-000	22	42
B2416-280-000	12	30	B9141-372-000	28	27	HX-0040700-00	22	29	M4005-461-000	22	43
B2416-280-000	30	18	CM-1001000-01	2	82	HX-0041000-0A	22	33	M4007-351-000	22	44
B2416-280-000	34	33	CM-3001004-01	24	30	HX-0051100-00	22	51	M4206-461-000	22	11
B2417-280-000	12	21	CM-3002000-02	2	43	KM-0000004-80	22	24	M9013-590-0A0	24	33
B2417-280-000	30	11	CM-3004006-01	24	31	MAO-11532000	24	17	M9013-590-0A0	26	41
B2417-280-000	34	25	CM-3012000-01	2	45	MAZ-15502000	40	50	M9017-580-0A0	24	25
B2417-280-000	38	38	CQ-2000000-00	8	30	MAZ-15507000	40	16	M9017-580-0A0	26	17
B2418-280-000	12	29	CQ-2000000-00	8	31	MAZ-15507000	42	22	M9024-580-0A0	26	21
B2418-280-000	30	17	CS-0640811-SP	48	20	MAZ-15508000	42	22	M9034-580-0A0	26	19
B2418-280-000	34	32	CS-0800881-TP	14	48	MAZ-15508000	40	22	M9035-580-0A0	26	18
B2418-280-000	38	34	CS-087101B-SH	34	52	MAZ-15508000	42	28	M9640-510-00A	36	39
B2421-280-0A0	12	41	D1401-M1Y-COA	48	41	MAZ-15509000	40	17	NM-3040520-SC	22	22
B2421-280-0A0	34	44	D1405-L7A-M00	4	76	MAZ-15509000	42	23	NM-3040520-SC	22	26
B2421-280-0A0	38	33	D1405-L7A-M00	34	4	MAZ-15510000	40	23	NM-6030003-SC	10	24
B2423-280-00A	12	37	D2101-L7A-MA0	34	18	MAZ-15510000	42	31	NM-6040000-SN	2	36
B2423-280-00A	30	25	D2426-MMC-K00	44	46	MAZ-15513000	40	10	NM-6040001-SP	6	7
B2423-280-00A	34	40	D2426-282-C00	12	24	MAZ-15514000	40	11	NM-6040001-SP	12	5
B2423-280-00A	38	44	D2426-282-C00	44	45	MAZ-15514000	48	33	NM-6040003-SC	10	18
B2423-280-00B	12	38	D2511-232-D00	32	17	MAZ-15515000	40	12	NM-6050001-SE	18	13
B2423-280-00B	30	26	D2512-232-D00	32	16	MAZ-15515000	48	9	NM-6050001-SE	18	17
B2423-280-00B	34	41	D2520-232-DA0	32	28	MAZ-15516000	40	60	NM-6050001-SP	6	22
B2423-280-00B	38	45	D2521-232-DA0	32	29	MAZ-15601000	38	31	NM-6050001-SP	12	8
B2423-280-00C	12	36	D2527-232-D00	32	42	MAZ-15602000	40	51	NM-6060001-CP	6	30
B2423-280-00C	30	24	D2527-232-D00	40	55	MAZ-15701000	46	8	NM-6060001-SC	28	14
B2423-280-00C	34	39	D2528-232-D00	32	43	MAZ-15702000	46	9	NM-6060001-SC	28	35
B2423-280-00C	38	46	D2529-232-D00	32	44	MAZ-157070AB	46	11	NM-6060003-SC	6	43
B2423-280-00D	12	39	D2545-232-DOA	32	10	MAZ-157070BB	46	10	NM-6080001-SC	22	10
B2423-280-00D	30	27	D2545-232-DOB	32	11	MAZ-157080AB	46	15	NM-6080002-SC	24	24
B2423-280-00D	34	42	D2545-232-DOC	32	12	MAZ-157080BB	46	14	NM-6080721-SE	20	26
B2423-280-00D	38	47	D2548-232-D00	40	49	MAZ-15709000	46	12	NM-6080721-SE	36	29
B2423-280-00E	12	40				MAZ-15710000	46	16	NM-6120001-SE	20	28
						MAZ-15801000	38	30	NM-6120003-SE	36	14
						MAZ-158070AB	40	28	NM-6160511-SE	18	18

NUMERICAL INDEX OF PARTS

索引

PART NO 品番	PAGE 頁	REF NO	PART NO 品番	PAGE 頁	REF NO	PART NO 品番	PAGE 頁	REF NO	PART NO 品番	PAGE 頁	REF NO
NS-6110310-SP	2	28	SL-4031081-SC	24	9	SM-6020350-SP	16	15	SM-8480652-TP	4	18
NS-6110530-SP	32	14	SL-4031081-SF	22	15	SM-6020450-TP	16	19	SM-8480652-TP	4	48
NS-6120480-SP	32	32	SL-4031091-SC	16	33	SM-6020460-TP	8	26	SM-8480652-TP	4	81
NS-6150310-SP	40	46	SL-4031291-SC	6	19	SM-6020460-TP	8	44	SM-9061203-SE	20	20
NS-6150310-SP	48	36	SL-4031291-SC	14	34	SM-6030500-SN	30	41	SM-9061203-SE	36	23
PD-0201000-OB	30	51	SL-4040681-SC	10	46	SM-6030500-SN	34	8	SM-9061403-CP	32	2
PS-0400142-KH	4	62	SL-4040881-SC	22	16	SM-6030500-SN	38	50	SM-9082023-SE	20	23
RC-0410415-KP	30	53	SL-4040881-SC	16	27	SM-6040650-TP	16	27	SM-9082023-SE	36	26
RC-0470611-KP	6	38	SL-4040881-SC	22	20	SM-6040602-TP	8	3	SS-1060210-TP	12	25
RC-0470611-KP	6	44	SL-4040881-SC	22	28	SM-6040602-TP	10	2	SS-1060210-TP	30	13
RC-0470611-KP	38	51	SL-4040881-SF	17	19	SM-6040602-TP	10	14	SS-1060210-TP	34	28
RC-0560711-KP	2	57	SL-4040891-SC	8	5	SM-6040650-TP	2	9	SS-1060210-TP	38	39
RE-0200000-KO	16	8	SL-4040891-SC	8	60	SM-6040650-TP	2	38	SS-1110640-TP	32	27
RE-0300000-KO	8	23	SL-4040891-SC	8	62	SM-6040650-TP	8	36	SS-1110640-TP	44	23
RE-0400000-KO	2	58	SL-4040891-SC	22	4	SM-6040650-TP	8	63	SS-1110640-TP	44	27
RE-0700000-KO	32	20	SL-4040891-SC	22	5	SM-6040650-TP	14	23	SS-2060310-SP	40	20
RE-0700000-KO	40	47	SL-4040891-SC	22	50	SM-6040650-TP	14	32	SS-2060310-SP	40	26
RE-0700000-KO	48	8	SL-4041091-SC	22	31	SM-6040650-TP	16	11	SS-2060310-SP	42	26
RE-0800000-KO	4	19	SL-4041281-SC	14	28	SM-6040802-TN	10	9	SS-2060310-SP	42	32
RE-0900000-KO	10	3	SL-4041291-SC	12	15	SM-6040802-TP	6	4	SS-2110930-SP	14	56
SB-1040016-00	4	24	SL-4041681-SF	22	48	SM-6040802-TP	6	17	SS-2110930-SP	34	48
SB-1040016-00	38	6	SL-4041691-SC	24	29	SM-6040802-TP	12	13	SS-5060310-SP	38	23
SB-1080022-00	4	23	SL-4043591-SC	22	25	SM-6040802-TP	14	40	SS-6080340-SP	42	20
SB-1080022-00	38	5	SL-6040892-TN	30	50	SM-6040802-TP	16	31	SS-6090612-TP	48	44
SB-1080023-00	4	30	SL-6040892-TN	48	51	SM-6040860-TP	2	40	SS-6090670-TP	4	71
SB-1080023-00	38	9	SL-6052592-TN	4	56	SM-6040860-TP	2	42	SS-6110430-TP	12	33
SB-1100024-00	6	3	SL-6084092-TN	28	9	SM-6041050-TP	10	16	SS-6110430-TP	30	21
SB-1100024-00	8	9	SL-9082091-SE	20	13	SM-6041150-TP	2	20	SS-6110430-TP	34	36
SB-1200017-00	4	7	SL-9082091-SE	36	16	SM-6041150-TP	14	6	SS-6110430-TP	38	42
SB-1200018-00	4	5	SM-1030601-SP	4	13	SM-6041150-TP	14	8	SS-6110480-SP	14	38
SB-1200018-00	4	6	SM-1040650-TP	12	43	SM-6041150-TP	42	9	SS-6110480-SP	48	29
SB-3070002-0A	4	35	SM-1040650-TP	14	26	SM-6041200-SP	16	29	SS-611052-TP	48	16
SB-3070002-0A	4	36	SM-1040650-TP	30	45	SM-6060550-TP	4	20	SS-6120940-SP	34	60
SB-3070002-0C	4	37	SM-1040650-TP	34	11	SM-6061200-SP	4	49	SS-6121212-TP	8	50
SB-3070002-0D	4	38	SM-1040650-TP	38	53	SM-6061202-TP	32	4	SS-7090410-SP	12	28
SB-3080010-0A	8	39	SM-2360110-TP	16	6	SM-6061202-TP	42	13	SS-7090410-SP	30	16
SB-3080010-0B	8	40	SM-3061052-TP	14	78	SM-6061250-TP	4	84	SS-7090410-SP	34	31
SB-3080010-0C	8	41	SM-3061052-TP	34	14	SM-6061610-SC	18	6	SS-7090410-SP	38	43
SB-3080010-0D	8	42	SM-4020600-SP	16	17	SM-6061802-TP	6	25	SS-7090410-SP	40	18
SD-0350156-TP	16	25	SM-4021201-SC	17	13	SM-6061802-TP	6	28	SS-7090410-SP	40	24
SD-0400266-TP	16	9	SM-4030455-SP	8	29	SM-6061802-TP	14	69	SS-7090410-SP	40	30
SD-0500091-TP	12	42	SM-4030601-SN	2	44	SM-6061802-TP	30	42	SS-7090410-SP	40	34
SD-0500091-TP	30	30	SM-4030601-SN	16	35	SM-6061802-TP	38	16	SS-7090410-SP	42	25
SD-0500091-TP	34	45	SM-4030801-SF	22	45	SM-6066002-TN	28	16	SS-7090410-SP	42	30
SD-0500091-TP	38	40	SM-4030855-SN	2	30	SM-6066002-TN	28	34	SS-7090410-SP	46	13
SD-0550181-SP	40	42	SM-4040655-SP	28	6	SM-6081252-TP	4	47	SS-7090410-SP	46	17
SD-0550271-TP	32	30	SM-4040655-SP	42	8	SM-6083002-TN	22	7	SS-7090510-SP	48	19
SD-0550301-SP	40	43	SM-4040855-SP	6	12	SM-6084002-TN	24	20	SS-7090610-SP	32	37
SD-0600206-TP	6	35	SM-4040855-SP	6	47	SM-7030550-TP	4	80	SS-7110510-SP	32	24
SD-0640216-TP	6	45	SM-4040855-SP	12	17	SM-8030412-TP	10	7	SS-7110710-TP	44	64
SD-0640216-TP	30	44	SM-4040855-SP	14	30	SM-8040302-TP	44	41	SS-7110740-SP	12	35
SD-0640216-TP	34	10	SM-4040855-SP	14	36	SM-8040302-TP	44	71	SS-7110740-TP	14	57
SD-0640216-TP	38	52	SM-4040855-SP	17	21	SM-8040310-SS	4	66	SS-7110740-TP	30	23
SD-0640321-TP	48	46	SM-4040855-SP	17	25	SM-8040310-SS	4	68	SS-7110740-TP	34	38
SD-0640391-TP	40	41	SM-4040855-SP	28	7	SM-8040802-TP	2	76	SS-7110740-TP	34	58
SD-0700406-TP	6	23	SM-4041055-SP	2	12	SM-8040802-TP	22	46	SS-7110740-TP	38	41
SD-0790606-TP	6	29	SM-4041655-SP	14	2	SM-8050402-TP	6	15	SS-7110740-TP	48	2
SD-0791271-SP	38	20	SM-4050855-SP	17	15	SM-8050502-TP	2	74	SS-7110740-TP	48	12
SD-0800327-TP	6	21	SM-4051405-SE	18	12	SM-8050512-TP	14	49	SS-7110740-TP	48	14
SD-0800327-TP	12	7	SM-4051655-SP	6	2	SM-8050592-TP	12	2	SS-7110740-TP	48	26
SD-0800406-TP	16	23	SM-4061255-SP	2	4	SM-8060602-TP	14	4	SS-7151210-SP	34	55
SD-1000406-TP	6	33	SM-4061255-SP	2	32	SM-8060602-TP	14	10	SS-8080310-TP	14	60
SD-1201506-TP	30	5	SM-4061255-SP	2	34	SM-8060612-TP	8	16	SS-8110410-TP	48	21
SK-3311601-SE	20	34	SM-4061255-SP	30	40	SM-8060612-TP	8	12	SS-8150510-TP	14	44
SK-3311601-SE	28	21	SM-4061255-SP	34	2	SM-8060812-TP	4	4	SS-8150822-TP	34	53
SK-3382001-SE	24	28	SM-5030501-SC	14	72	SM-8060812-TP	4	10	SS-8150822-TP	34	64
SK-3382001-SE	36	40	SM-5040655-SN	2	67	SM-8060812-TP	4	58	SS-8660612-TP	14	20
SK-3412001-SE	42	14	SM-5040855-SN	2	2	SM-8060812-TP	4	82	SS-9090813-TP	42	17
SK-3512001-SE	24	18	SM-5040855-SN	2	14	SM-8060812-TP	6	10	SS-9110460-CP	32	34
SK-3513201-SE	20	2	SM-5040855-SN	2	19	SM-8060812-TP	8	17	SS-9110460-CP	32	39
SL-4030681-SC	30	52	SM-5040855-SN	2	80	SM-8060812-TP	12	10	SS-9110460-CP	40	45
SL-4030881-SC	30	36	SM-5040855-SN	8	59	SM-8060812-TP	14	13	SS-9110460-CP	48	37
SL-4031081-SC	24	3	SM-5040855-SN	32	46	SM-8060812-TP	14	16	SS-9110543-CP	40	52
			SM-5040855-SN	40	59	SM-8061050-TP	8	72	SS-9110920-CP	32	21
						SM-8061612-TP	10	47	SS-9111010-SP	48	30
									SS-9151120-CP	32	8

NUMERICAL INDEX OF PARTS

索引

PART NO 品番	PAGE 頁	REF NO	PART NO 品番	PAGE 頁	REF NO	PART NO 品番	PAGE 頁	REF NO	PART NO 品番	PAGE 頁	REF NO
SS-9151120-CP	40	61	105-02300	2	46	135-48557	44	4	141-20208	44	52
SS-9621413-SP	40	44	110-72402	2	27	135-48607	44	6	141-20307	44	54
SS-9621413-SP	48	38	111-55108	20	31	135-48706	46	7	141-20406	44	55
SV-4030601-SR	22	47	111-55207	20	32	135-54506	44	32	141-20505	44	53
			111-57559	36	2	135-54803	14	75	141-21255	44	61
TA-0670604-RO	4	14	111-57658	36	3	135-54803	44	67	141-21263	44	60
TA-0750704-RO	2	48	111-57757	36	4	135-61303	44	21	141-21354	44	62
TA-0850604-RO	2	49	111-57955	36	5	135-61352	44	20	141-21701	44	56
TA-1050504-RO	2	50	111-58052	36	6	135-61360	44	19	141-21800	44	57
TA-1250406-RO	2	51	111-58300	20	8	135-61402	44	25	141-21909	44	58
TA-1270502-RO	2	52	111-58300	36	7	135-61451	44	24	141-22006	44	59
TA-1470704-RO	2	53	111-58409	20	9	135-62509	44	22	141-35305	44	70
TA-1550902-RO	2	54	111-58409	36	8	135-62608	44	26	141-36402	14	37
TA-2100904-RO	2	55	111-58508	36	15	135-71906	28	37	141-37509	44	69
			111-58516	20	12	135-71906	44	17	141-37608	44	68
WP-0320500-SC	16	7	111-58607	20	10	135-71955	44	16	141-37707	44	73
WP-0370316-SD	42	16	111-58607	36	9	135-72003	28	38	141-37806	44	72
WP-0400516-UZ	10	19	111-59001	20	15	135-72003	44	18	141-37905	44	75
WP-0400516-UZ	10	22	111-59001	36	20	135-73407	28	41	141-38002	44	74
WP-0430801-SC	10	10	122-58000	30	37	135-73407	44	39	141-40206	32	35
WP-0450801-SD	28	8	135-08056	36	1	137-05108	2	39	141-40255	32	6
WP-0450801-SD	42	10	135-08700	2	16	137-86306	34	7	141-40354	32	18
WP-0450801-SP	6	48	135-08809	2	17	138-10908	48	43	141-40552	32	26
WP-0450801-SP	6	49	135-08908	2	18	138-11906	40	58	141-40750	32	33
WP-0450801-SP	8	58	135-09708	6	36	138-12003	40	57	141-40909	32	22
WP-0450801-SP	12	3	135-15606	6	13	138-12102	8	54	141-41055	32	13
WP-0450801-SP	14	50	135-16208	14	12	138-12102	28	33	141-41105	32	15
WP-0450801-SP	14	82	135-17404	14	21	138-16608	2	29	141-41204	32	31
WP-0450801-SP	16	36	135-18501	14	54	138-16855	2	15	141-41402	32	19
WP-0450826-SC	2	68	135-18600	14	61	138-17754	20	14	141-41402	40	36
WP-0450846-SP	12	34	135-18600	44	2	138-17754	36	17	141-41402	48	7
WP-0450846-SP	30	22	135-18659	44	1	138-89407	42	6	141-41501	32	36
WP-0450846-SP	34	37	135-18709	14	62	141-01208	28	17	141-41758	30	32
WP-0450846-SP	38	49	135-18709	44	3	141-03253	8	45	141-42103	30	46
WP-0480856-SP	6	50	135-18808	14	55	141-03253	44	47	141-43002	34	13
WP-0482086-SD	48	17	135-29607	8	34	141-03352	8	46	141-45106	40	1
WP-0482086-SD	48	31	135-33104	14	58	141-03352	30	8	141-45650	40	5
WP-0501016-SD	32	40	135-33104	44	37	141-03352	34	19	141-45858	40	4
WP-0501016-SD	40	48	135-40604	30	48	141-03352	38	25	141-46054	48	1
WP-0501016-SD	40	53	135-40901	40	13	141-03352	44	48	141-46104	40	6
WP-0501016-SD	48	32	135-40901	48	34	141-03659	8	47	141-46104	48	6
WP-0612516-SD	32	3	135-41107	32	25	141-03659	34	20	141-46203	40	7
WP-0612516-SD	32	5	135-41404	32	7	141-03659	44	49	141-46203	48	5
WP-0612516-SD	32	9	135-41503	32	38	141-03907	8	27	141-46302	40	8
WP-0612516-SD	40	62	135-41602	32	45	141-04004	8	25	141-46401	40	14
WP-0621016-SD	14	70	135-42402	44	11	141-04400	6	32	141-46401	48	10
WP-0621016-SD	14	79	135-42451	44	10	141-05407	14	53	141-46708	42	19
WP-0621016-SD	34	15	135-42501	44	12	141-09607	12	23	141-46757	42	15
WP-0651056-SH	30	4	135-42915	14	65	141-09607	34	27	141-46807	42	18
WP-0651646-SC	28	15	135-42915	44	14	141-09607	44	44	141-46906	40	56
WP-0651646-SC	28	36	135-42964	44	13	141-11504	14	31	141-48209	48	49
WP-0671016-SE	20	21	135-43012	14	66	141-11702	14	29	141-48407	30	38
WP-0671016-SE	36	24	135-43012	44	15	141-11801	14	35	141-48407	40	3
WP-0820516-SP	4	50	135-43715	34	50	141-13450	2	24	141-48803	42	24
WP-0841601-SC	22	9	135-43764	34	46	141-13468	2	23	141-48852	42	21
WP-0841601-SC	24	22	135-43806	34	54	141-15554	17	20	141-48902	42	29
WP-0852086-SC	24	21	135-43905	34	59	141-16107	14	73	141-48951	42	27
WP-0871602-SE	20	24	135-44051	34	63	141-16107	44	28	141-49009	40	19
WP-0871602-SE	36	27	135-44465	34	47	141-16206	14	74	141-49058	40	15
WP-1302501-SE	20	29	135-44614	34	49	141-16206	44	34	141-49108	40	25
WP-1302501-SE	36	11	135-44705	34	61	141-16305	44	30	141-49157	40	21
WP-1702600-SO	18	19	135-45504	46	3	141-16404	14	77	141-49603	46	18
WS-0451040-KP	44	63	135-45660	46	1	141-16404	44	29	170-07402	20	11
WS-0510002-KN	18	16	135-45801	46	4	141-16503	28	39	170-07402	36	10
WS-0610002-KN	28	10	135-46700	46	6	141-16503	44	35	178-45009	22	30
WS-0621210-KR	20	22	135-47005	46	5	141-16602	44	33	178-48458	42	11
WS-0621210-KR	36	25	135-47161	46	2	141-16701	44	36			
WS-0820002-KR	22	8	135-48003	44	31	141-16800	14	76	228-91006	4	28
WS-0820002-KR	24	23	135-48102	14	63	141-16800	44	65	228-91006	38	10
WS-0861410-KR	20	25	135-48102	44	8	141-16909	28	40	228-91204	4	34
WS-0861410-KR	36	28	135-48151	44	7	141-16909	44	66	229-01409	2	81
WS-1253010-KN	20	30	135-48201	14	64	141-18053	20	3	229-02506	2	11
WS-1253010-KN	36	12	135-48201	44	9	141-18152	20	4	229-20508	2	37
			135-48300	14	59	141-18251	20	5	229-21506	10	30
			135-48300	44	38	141-20000	44	40	229-21605	10	40
100-04109	2	47	135-48508	44	5	141-20109	44	51	229-28808	10	29
101-08009	4	15									

NUMERICAL INDEX OF PARTS

索引

PART NO 品番	PAGE 頁	REF NO	PART NO 品番	PAGE 頁	REF NO	PART NO 品番	PAGE 頁	REF NO	PART NO 品番	PAGE 頁	REF NO
229-30309	18	14	400-05401	22	23	400-06537	4	33	400-06935	32	1
229-30358	18	1	400-05401	26	16	400-06561	4	16	400-06935	40	2
229-30408	18	10	400-05641	22	13	400-06563	8	11	400-06937	38	21
229-30507	18	9	400-05648	22	12	400-06573	8	18	400-08693	6	27
229-30705	18	7	400-05648	26	4	400-06574	8	19	400-09860	38	24
229-30804	18	5	400-05660	17	17	400-06575	8	37	400-10103	48	50
229-30903	18	4	400-05664	17	16	400-06576	8	38	400-10404	2	6
229-31000	18	3	400-05664	26	28	400-06577	8	28	400-10405	2	13
229-31109	18	2	400-05677	24	2	400-06578	8	15	400-10414	2	31
229-31208	18	15	400-05677	26	38	400-06580	8	66	400-10415	4	2
229-31307	18	11	400-05691	24	6	400-06580	30	9	400-10416	4	3
229-31406	18	8	400-05692	24	4	400-06580	34	21	400-10418	4	8
229-32800	28	2	400-05693	24	5	400-06580	38	26	400-10419	4	9
229-33006	28	22	400-05694	24	7	400-06581	8	67	400-10421	4	12
229-33105	28	23	400-05695	24	1	400-06581	34	22	400-10423	4	45
229-33204	28	24	400-05695	26	37	400-06617	10	5	400-10429	38	54
229-58458	24	16	400-05697	24	27	400-06622	10	26	400-10434	4	39
235-17501	6	5	400-05700	26	1	400-06625	10	4	400-10435	4	40
235-04309	4	57	400-05701	26	2	400-06628	10	1	400-10436	4	41
236-30007	8	32	400-05702	26	3	400-06628	26	29	400-10437	4	52
236-30007	8	33	400-05705	22	14	400-06661	6	8	400-10439	4	53
236-38109	17	8	400-05706	22	27	400-06665	6	20	400-10440	4	54
236-38208	17	10	400-05709	36	30	400-06666	6	14	400-10441	4	73
236-38406	17	11	400-05710	36	34	400-06671	6	24	400-10442	4	74
262-04008	14	51	400-05711	36	33	400-06672	6	31	400-10443	6	16
262-04107	14	52	400-05712	34	12	400-06674	6	34	400-10451	6	37
262-18602	10	31	400-05725	17	18	400-06677	34	16	400-10455	6	39
262-23305	14	14	400-05726	22	36	400-06678	6	46	400-10457	6	40
262-60000	2	56	400-05726	26	6	400-06711	12	1	400-10458	6	41
262-60109	2	62	400-05727	22	37	400-06712	12	6	400-10458	30	6
262-60208	2	63	400-05727	26	5	400-06716	6	9	400-10464	8	6
262-60307	2	69	400-05728	26	35	400-06716	12	9	400-10467	8	7
262-60406	2	71	400-05728	30	2	400-06717	12	11	400-10469	8	8
262-60505	2	73	400-05729	17	1	400-06721	12	26	400-10470	8	71
262-60604	2	75	400-05729	26	25	400-06721	30	14	400-10471	8	35
262-60703	2	77	400-05730	17	4	400-06721	34	29	400-10473	8	55
262-60802	2	59	400-05730	26	22	400-06721	38	29	400-10474	8	56
262-60901	2	64	400-05731	17	2	400-06722	12	18	400-10475	8	57
262-61008	2	65	400-05731	26	23	400-06722	30	10	400-10477	10	6
262-61107	2	66	400-05732	17	3	400-06722	34	23	400-10478	10	39
262-61206	2	72	400-05732	26	24	400-06723	12	19	400-10479	10	8
262-61305	2	70	400-05733	17	5	400-06723	34	24	400-10482	10	11
262-61503	2	78	400-05733	26	26	400-06724	12	20	400-10486	10	15
262-61602	2	60	400-05734	17	12	400-06725	38	27	400-10487	10	17
262-61701	2	61	400-05734	26	27	400-06726	38	28	400-10490	10	20
263-15606	12	44	400-05735	36	35	400-06736	14	11	400-10492	10	12
263-15705	12	45	400-05736	36	36	400-06737	14	24	400-10495	10	13
263-15804	12	46	400-05737	36	37	400-06738	14	17	400-10497	10	21
263-15903	12	47	400-05738	36	38	400-06739	14	25	400-10498	10	23
265-00009	14	19	400-05739	36	31	400-06740	14	22	400-10500	10	25
265-00306	4	61	400-05740	36	32	400-06745	14	67	400-10503	10	27
265-00405	6	26	400-06475	2	1	400-06747	14	68	400-10504	10	28
265-01403	14	3	400-06478	2	3	400-06761	16	1	400-10508	10	32
235-01502	14	9	400-06481	2	10	400-06762	16	2	400-10509	10	44
265-01858	8	24	400-06484	28	3	400-06765	16	3	400-10510	10	33
			400-06485	42	5	400-06768	16	4	400-10511	10	34
400-00029	22	17	400-06487	2	7	400-06772	16	12	400-10512	10	35
400-00029	26	7	400-06488	2	8	400-06776	16	24	400-10513	10	36
400-00046	26	14	400-06495	17	6	400-06777	16	18	400-10514	10	37
400-00046	26	15	400-06496	17	7	400-06780	16	13	400-10515	10	38
400-00056	22	19	400-06497	17	9	400-06781	16	14	400-10521	10	41
400-00056	26	13	400-06515	4	65	400-06782	16	16	400-10522	10	42
400-03458	22	54	400-06516	4	67	400-06836	8	65	400-10523	10	43
400-03484	22	38	400-06517	4	46	400-06840	8	64	400-10525	12	12
400-03484	26	36	400-06525	30	39	400-06864	16	28	400-10526	12	16
400-03485	22	39	400-06525	34	3	400-06864	26	33	400-10527	16	20
400-05385	24	11	400-06525	38	14	400-06886	20	1	400-10528	16	21
400-05388	26	12	400-06529	4	21	400-06887	26	41	400-10530	16	26
400-05390	26	20	400-06530	4	22	400-06912	26	34	400-10531	16	30
400-05391	22	32	400-06531	4	25	400-06912	30	31	400-10532	16	34
400-05391	26	10	400-06532	4	32	400-06913	30	35	400-10533	4	42
400-05392	26	11	400-06532	38	11	400-06914	30	54	400-10533	4	44
400-05393	22	34	400-06534	4	27	400-06923	38	1	400-10534	4	43
400-05393	26	8	400-06534	38	7	400-06924	38	2	400-10536	14	7
400-05394	22	35	400-06535	4	29	400-06925	38	3	400-10570	14	71
400-05394	26	9	400-06535	38	8	400-06926	38	12	400-10571	2	35

NUMERICAL INDEX OF PARTS

索引

PART NO 品番	PAGE 頁	REF NO	PART NO 品番	PAGE 頁	REF NO	PART NO 品番	PAGE 頁	REF NO	PART NO 品番	PAGE 頁	REF NO
400-10572	4	1									
400-10573	4	69									
400-10574	4	75									
400-10575	8	13									
400-10589	16	10									
400-10879	8	52									
400-11152	16	22									
400-11511	8	51									
400-11512	8	48									
400-11902	4	51									
400-11928	2	79									
400-11949	30	3									
400-11949	38	17									
400-12127	8	2									
400-13640	28	13									
400-13721	8	4									
400-13967	10	45									
400-14963	8	49									
400-14965	8	68									
400-15800	16	5									
400-16077	8	10									
400-16194	28	32									
400-16195	28	11									
400-17202	6	42									
400-21851	44	76									
400-21852	44	78									
400-21853	44	77									
400-21854	44	79									
400-21855	44	80									
400-21856	44	81									
400-21857	44	82									
400-21858	44	83									
400-21859	44	84									
400-21869	44	91									
400-21870	44	89									
400-21871	44	92									
400-21872	44	90									
400-21873	44	85									
400-21874	44	93									
400-21875	44	96									
400-21876	44	86									
400-21877	44	94									
400-21878	44	97									
400-21879	44	87									
400-21880	44	95									
400-21881	44	98									
400-21882	44	88									
400-23831	6	11									
400-26818	4	17									
400-28015	4	55									
400-28015	4	83									
400-28015	26	39									
400-29901	14	1									
400-29901	26	30									
400-29902	14	5									
400-29902	26	31									
400-29903	6	1									
400-29903	26	32									
400-31136	4	11									
400-33047	38	22									
400-33635	42	12									
400-36110	28	12									
400-39012	14	80									
400-39013	14	41									
400-39255	14	39									
400-40256	6	6									
400-40256	12	4									
400-48536	28	1									
400-51987	28	4									
400-52810	42	7									
400-55355	22	1									
400-55356	22	2									
400-55357	22	3									

Read safety instructions carefully and understand them before using.

Retain this instruction manual for future reference.

感谢您购买本公司的产品。

为了安全的使用，请您在使用之前阅读本使用说明书。

另外，请您注意保管本使用说明书，以便随时查阅。